

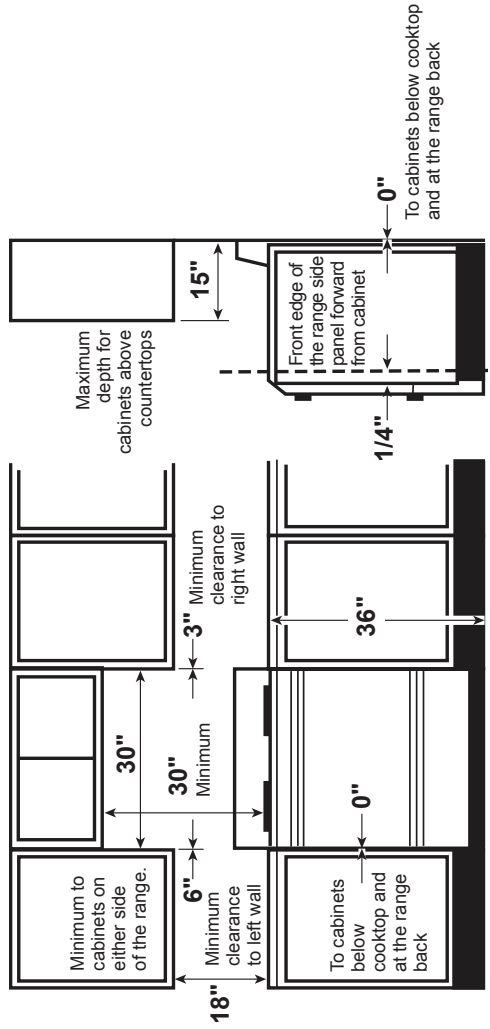
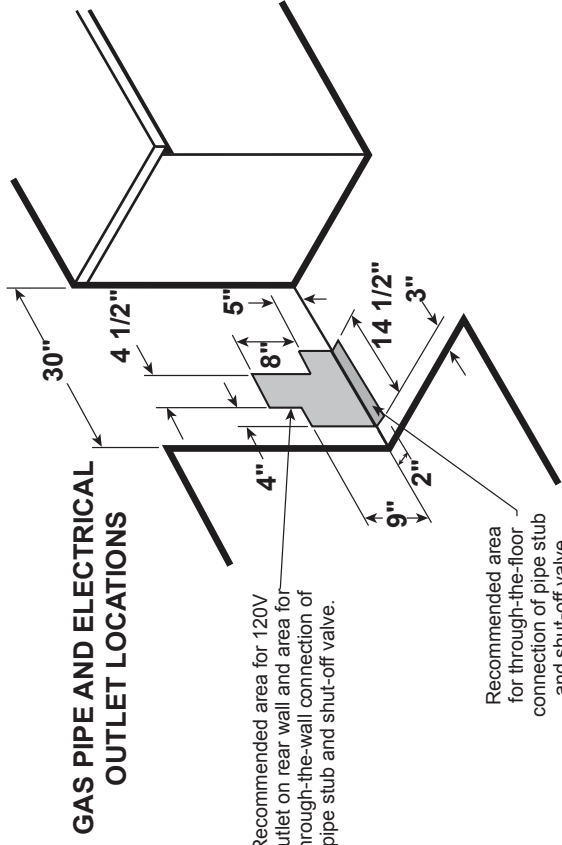
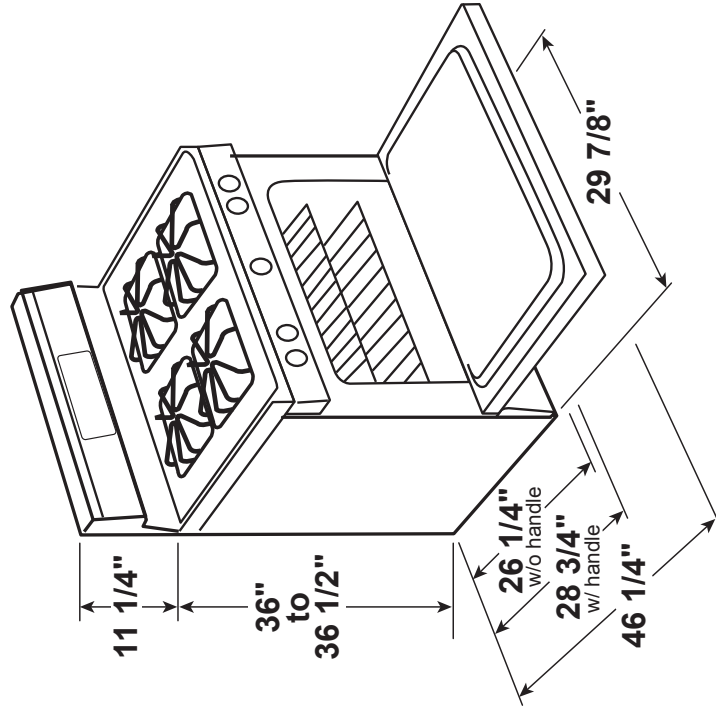
JGB700EEJ/BEJ/FEJ

GE® 30" Free-Standing Gas Convection Range

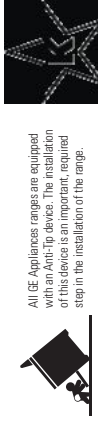
DIMENSIONS AND INSTALLATION INFORMATION (IN INCHES)

ELECTRICAL RATING: 120V, 60Hz, 15A

INSTALLATION INFORMATION: Before installing, consult installation instructions packed with product for current dimensional data.



For answers to your Monogram, GE Café™ Series, GE Profile™ Series or GE Appliances product questions, visit our website at geappliances.com or call GE Answer Center® Service, 800.626.2000.



All GE Appliances ranges are equipped with an Anti-Tip device. The installation of this device is an important, required step in the installation of the range.

JGB700EEJ/BEJ/FEJ

GE® 30" Free-Standing Gas Convection Range

FEATURES AND BENEFITS

- Edge-to-edge cooktop, A large – continuous cooking surface gives you extra room for pots and pans of all sizes and lets cookware move easily from burner to burner
- Extra-large integrated non-stick griddle – Cook up to six grilled cheeses at once on the industry's largest integrated griddle
- 18,000 BTU Power Boil burner – Boil water fast with intense heat from this 18,000 BTU burner
- Gas convection oven – Circulates heat for high-quality results
- Self-clean with Steam Clean option – Clean your oven the way you want
- Center oval burner – Large oval fifth burner is ideal for griddles
- Heavy cast, dishwasher safe grates – Easily and safely clean grates in the dishwasher
- Precise Simmer burner – Delicate foods don't burn with low, even heat
- 5.0 cu. ft. oven capacity – Cook more dishes at once
- Model JGB700EEJES – Slate
- Model JGB700BEJTS – Black stainless
- Model JGB700FEJDS – Black Slate

