

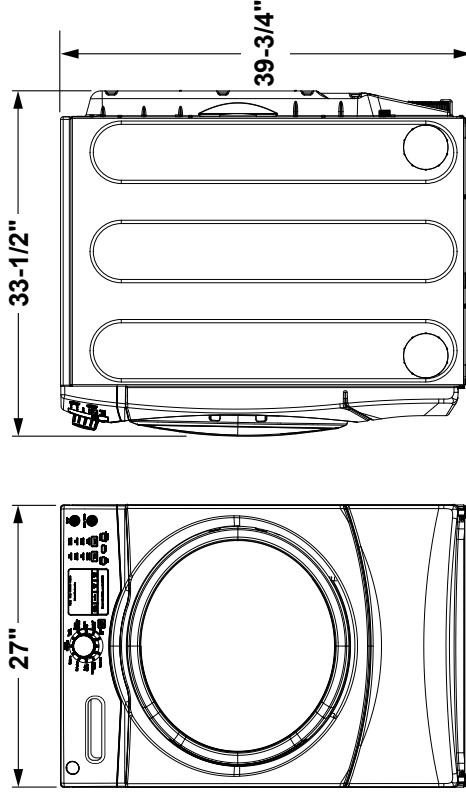
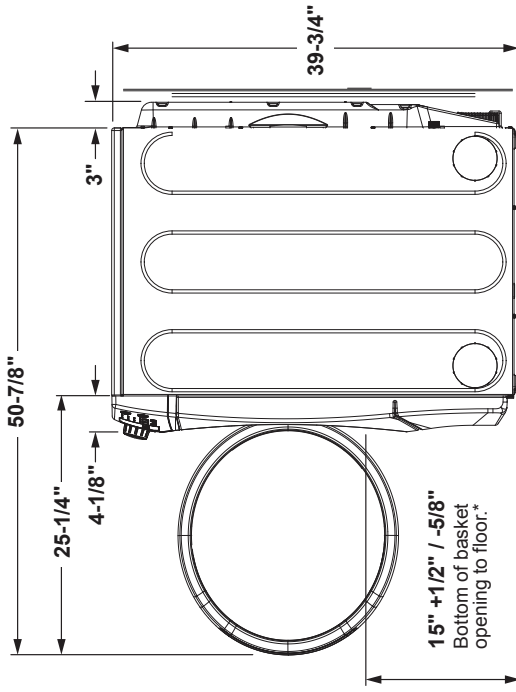
GFW430SSMWW

GE Appliances ENERGY STAR® 4.5 DOE Cu. Ft. Capacity
Frontload Washer

DIMENSIONS AND INSTALLATION INFORMATION (IN INCHES)

ELECTRIC RATING	
120V	12.0A, 60Hz

INSTALLATION INFORMATION: For complete information, see installation instructions packed with your washer.



For answers to your Monogram, GE Café™ Series, GE Profile™ Series or GE Appliances product questions, visit our website at geappliances.com or call GE Answer Center® Service, 800.626.2000.



Listed by
Underwriters
Laboratories

Specification Created 1/18

GEFW430SSMWW

GE Appliances ENERGY STAR® 4.5 DOE Cu. Ft. Capacity

Frontload Washer

SPECIAL INSTALLATION REQUIREMENTS:

STACKED INSTALLATION:

-Brackets for stacking dryer over washer are not included with the washer. Order part no. GEFLSTACK or part no. WE25XI0018.

ALCOVE OR CLOSET INSTALLATION:

-If your dryer is approved for installation in an alcove or closet, it will be stated on a label on the dryer back.

-The dryer MUST be exhausted to the outside.

-Minimum clearances between dryer cabinet and adjacent walls or other surfaces are: 0" either side, 3" front and rear

-Minimum vertical space from floor to overhead cabinets, ceilings, etc. is 52".

-Closet doors must be louvered or otherwise ventilated and must contain a minimum of 60 sq. in. of open area equally distributed. If this closet contains both a washer and a dryer, doors must contain a minimum of 120 sq. in. of open area equally distributed.

-No other fuel-burning appliance shall be installed in the same closet with a gas dryer.

BATHROOM OR BEDROOM INSTALLATION:

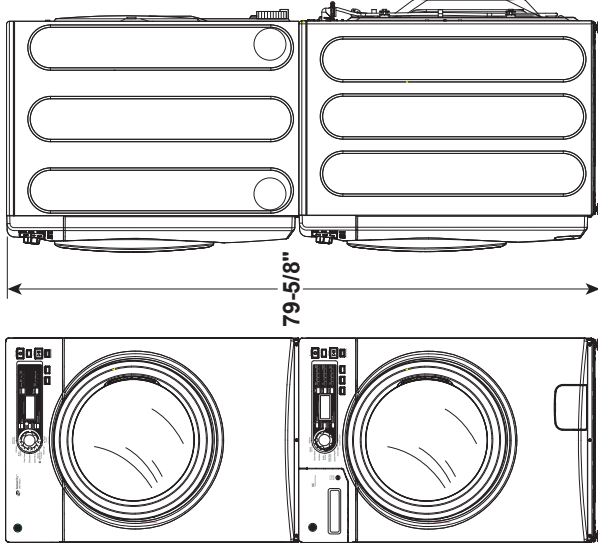
-The dryer MUST be exhausted to the outdoors.

-The installation must conform with the local codes, or in the absence of local codes, with the National Electric Code and National Fuel Gas Code, ANSI Z223.

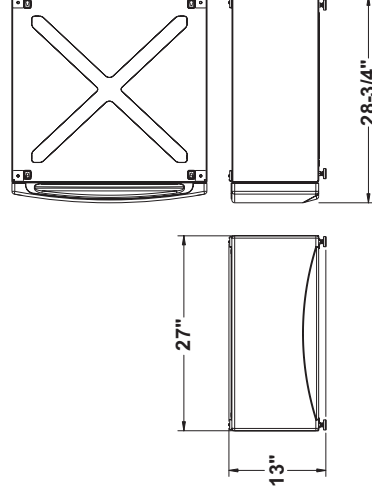
MINIMUM CLEARANCE OTHER THAN ALCOVE OR CLOSET INSTALLATIONS:

-Minimum clearances to combustible surfaces 0" both sides, 3" rear.

FOR MORE INFORMATION ON VENTING KITS AND ACCESSORIES, PLEASE CALL 1-800-GE-CARES.



STACKED DIMENSIONS (IN INCHES)



PEDESTAL DIMENSIONS (IN INCHES)

SBSD137HWW - WHITE

This optional 13" pedestal raises the door opening and height of the washer or dryer. Feet on 13" pedestal allow it to adjust to 13-3/8" height.



For answers to your Monogram, GE Café™ Series, GE Profile™ Series or GE Appliances product questions, visit our website at geappliances.com or call GE Answer Center® Service, 800.626.2000.

GFW430SSMWW

GE Appliances ENERGY STAR® 4.5 DOE Cu. Ft. Capacity

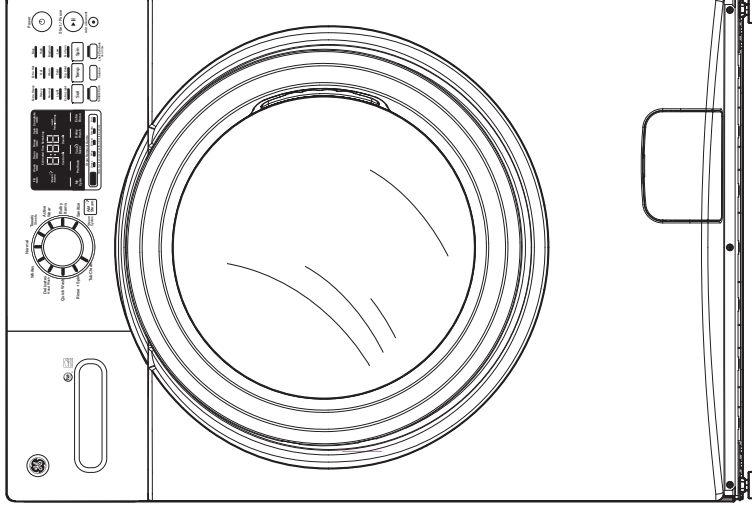
Frontload Washer

FEATURES AND BENEFITS

- Time Saver – When you need to get a full load of clothes clean in only 37 minutes
- Extended Tumble – Freshly tumbles your garments periodically for up to 8 hours when unable to move clothing to the dryer right away
- Sanitize with Oxi – Remove 99.9% of bacteria with a dedicated cycle that uses an Oxi additive to boost your detergent's cleaning power, while keeping fabrics looking and feeling their best
- Bulky/Bedding cycle – Washes larger items, such as comforters, blankets and jackets
- My Cycle – Create your favorite cycles for your specific clothes-care needs
- Adaptive Vibration Control – Considers floor type and location of washer in the home to adapt and optimize spin patterns, reducing vibration and sound
- ENERGY STAR® qualified – Meets or exceeds federal guidelines for energy efficiency for year-round energy and money savings

Model GFW430SSMWW – White

ADA
COMPLIANT



For answers to your Monogram, GE Café™ Series, GE Profile™ Series or GE Appliances product questions, visit our website at geappliances.com or call GE Answer Center® Service, 800.626.2000.

