

AMERISINK

HERITAGE

UNDERMOUNT STAINLESS STEEL SINK

AS301

Features

- 31" x 18" x 10"/10"
- 16 gauge, 304 stainless steel
- Undermount sink
- Easy-to-clean, brushed finish
- Spray insulated undercoating & sound pads
- Includes template & installation hardware.
Cutting sinkholes with provided template is strongly recommended.
- Limited lifetime warranty



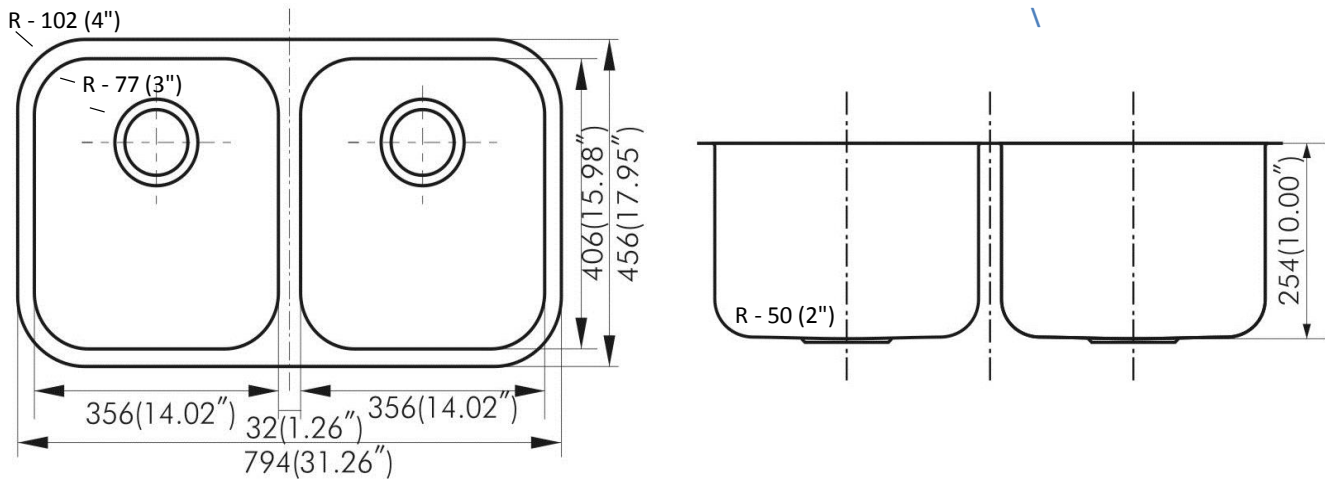
OPTIONAL ACCESSORY:

BG 101 Bottom Grids

CODES:

ASME A112.19.3/CSA B45.4, cUPC

Product Diagram



1-877-500-SINK (7465)

WEST COAST WAREHOUSE: 510-667-9998



EAST COAST WAREHOUSE: 404-691-5088

WWW.AMERISINK.COM