

**Miele**

## Pre-Finished Dishwasher

CLASSIC	G 4228 SCU
CLASSIC PLUS	G 4948 U, G 4948 SCU
CRYSTAL	G 6625 U, G 6625 SCU
DIMENSION	G 6745 SCU



Shown: G 6745 SCU White  
Please note: This information is subject to change

 [mieleusa.com](http://mieleusa.com)  
Specification Sheets TRS 06162018

## Prefinished Dishwasher

SPECIFICATIONS	
Overall Unit Dimensions	23 <sup>9</sup> / <sub>16</sub> " (598mm) W x 33 <sup>1</sup> / <sub>16</sub> " - 36 <sup>1</sup> / <sub>4</sub> " (855 - 920mm) H x 22 <sup>7</sup> / <sub>16</sub> " (570mm) D
<b>Niche</b>	
Minimum Cabinet Opening Dimensions	23 <sup>5</sup> / <sub>8</sub> " (600mm) W x 33 <sup>3</sup> / <sub>4</sub> " (857mm) H X 22 <sup>7</sup> / <sub>16</sub> " (570mm) D
<b>Plumbing</b>	
Water Supply Requirements	May be connected to a cold or hot water supply up to a maximum of 140°F/60°C. Must be connected to a shut-off valve with a male 3/8" compression. The water shut-off valve must be accessible after installation. The water pressure must be between 7.25 psi (0.5 bar) and 145 psi (10 bar). If the pressure is higher than 145 psi (10 bar), a pressure reducing valve must be installed.
Water Connection Line	4' 11" (1.5 m) flexible water intake hose is supplied with a 3/8" compression connection.
Drain Hose	4' 11" (1.5 m) flexible drain hose with a 7/8" (22 mm) internal diameter is supplied. The drain hose length must not be longer than 13' 1 1/2" (4 m) and the delivery head must not exceed 3' 3 3/8" (1 m).
<b>Electrical</b>	
Electrical Requirements	110V / 120V, 60Hz, 15 Amps
Power Cord	NEMA 5-15 plug, 3' 11" (1.2 m) (Measured from back of unit, convertible to hardwire)
<b>Shipping</b>	
Shipping Weight	121 lbs (55 kg)
Shipping Dimensions	27 <sup>1</sup> / <sub>8</sub> " W x 38 <sup>1</sup> / <sub>8</sub> " H x 26 <sup>3</sup> / <sub>8</sub> " D
<b>Support</b>	
Call Miele	(800) 999-1360
Miele Website	<a href="http://www.mieleusa.com">www.mieleusa.com</a>
20/20 Link	<a href="http://2020technologies.com">2020technologies.com</a>

### Pre-Finished

#### Classic



G 4228 SCU  
Item 21422837USA

#### Classic Plus



G 4948 U  
Item 21494827USA  
G 4948 U Black  
Item 21494824USA  
G 4948 U White  
Item 21494826USA  
G 4948 SCU  
Item 21494837USA  
G 4948 SCU Black  
Item 21494834USA  
G 4948 SCU White  
Item 21494836USA

#### Crystal



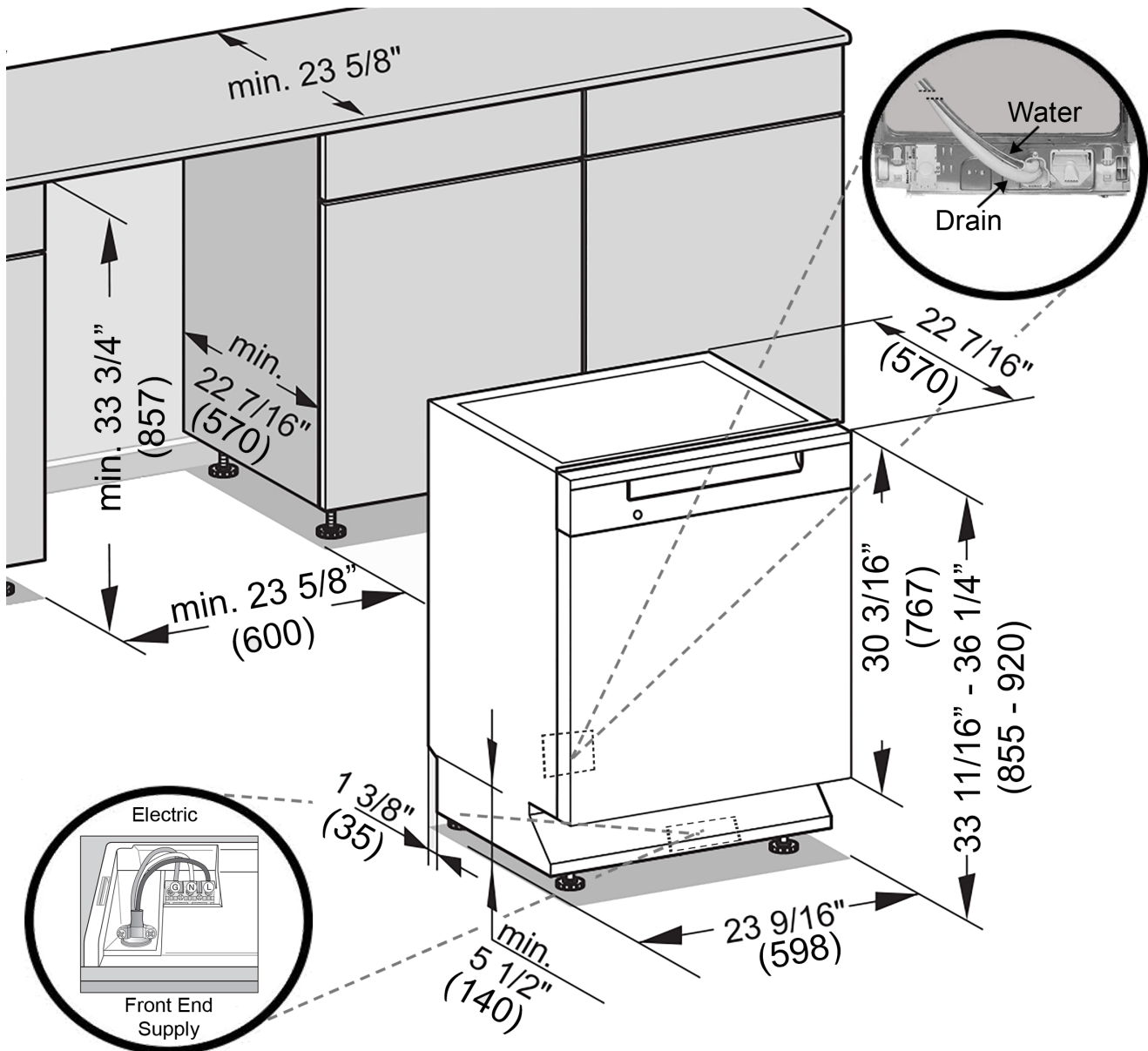
G 6625 U  
Item 21662527USA  
G 6625 SCU  
Item 21662537USA

#### Dimension



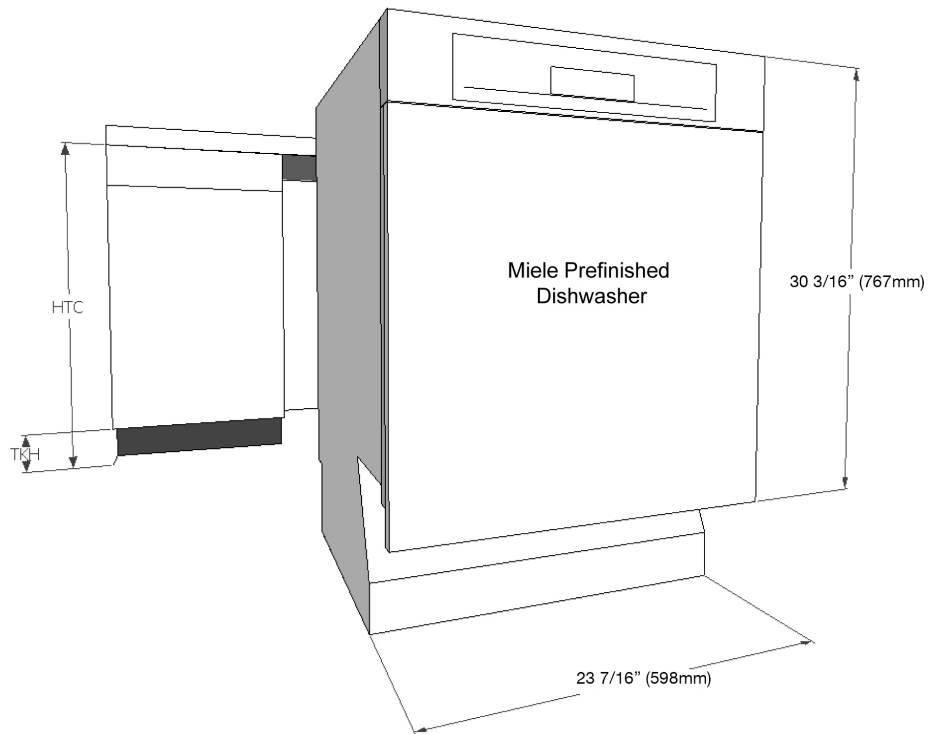
G 6745 SCU  
Item 21674537USA  
G 6745 SCU Black  
Item 21674534USA  
G 6745 SCU White  
Item 21674536USA

## INSTALLATION SPECIFICATIONS



- Drain -** 4 ft 11 in (1.5 m) flexible drain hose. (Connects from lower center rear)
- Water -** 4 ft 11 in (1.5 m) flexible water intake hose with 3/8" compression fitting. (Connects from lower center rear)
- Electric -** 4 ft 11 in (1.5 m) 120V 15 A 3 wire molded NEMA 5-15 plug power supply. (Connects via Front End Supply or may be hardwired)

### PANEL SPECIFICATION



#### Panel and Control Prefinished

**Width:** 23 7/16" (595 mm)

**Thickness:** 3/4" (19 mm)

**Height:** 30 3/16" (767 mm)

#### Calculating the toe kick height:

$$30 \frac{3}{16}'' - \text{HTC} = \text{TKH}$$

**HTC** = Height to underside of countertop

**TKH** = Toe kick height



Prefinished Dishwasher

POSSIBLE TOEKICK HEIGHT + CABINET HEIGHT COMBINATION

Height to underside of countertop

	33 3/4	34	34 1/4	34 1/2	34 3/4	35	35 1/4	35 1/2	35 3/4	36
2 1/2	Acceptable	Acceptable	Acceptable	Acceptable	Acceptable	Not Acceptable	Not Acceptable	Not Acceptable	Not Acceptable	Not Acceptable
3	Acceptable	Acceptable	Acceptable	Acceptable	Acceptable	Acceptable	Acceptable	Acceptable	Not Acceptable	Not Acceptable
3 1/2	Acceptable	Acceptable	Acceptable	Acceptable	Acceptable	Acceptable	Acceptable	Acceptable	Acceptable	Acceptable
4	Acceptable	Acceptable	Acceptable	Typical American	Acceptable	Acceptable	Acceptable	Acceptable	Acceptable	Acceptable
4 1/2	Acceptable	Acceptable	Acceptable	Acceptable	Acceptable	Acceptable	Acceptable	Acceptable	Acceptable	Acceptable
5	Acceptable	Acceptable	Acceptable	Acceptable	Acceptable	Acceptable	Acceptable	Acceptable	Acceptable	Acceptable
5 1/2	Acceptable	Acceptable	Acceptable	Acceptable	Acceptable	Acceptable	Acceptable	Acceptable	Acceptable	Acceptable
6	Acceptable	Acceptable	Acceptable	Acceptable	Acceptable	Acceptable	Acceptable	Acceptable	Acceptable	Acceptable
6 1/2	Acceptable	Acceptable	Acceptable	Acceptable	Acceptable	Acceptable	Acceptable	Acceptable	Acceptable	Acceptable
7	Not Acceptable	Not Acceptable	Acceptable	Acceptable	Acceptable	Acceptable	Acceptable	Acceptable	Acceptable	Acceptable
7 1/2	Not Acceptable	Not Acceptable	Not Acceptable	Not Acceptable	Not Acceptable	Acceptable	Acceptable	Acceptable	Acceptable	Acceptable
8	Not Acceptable	Not Acceptable	Not Acceptable	Not Acceptable	Not Acceptable	Not Acceptable	Not Acceptable	Not Acceptable	Acceptable	Acceptable
8 1/2	Not Acceptable	Not Acceptable	Not Acceptable	Not Acceptable	Not Acceptable	Not Acceptable	Not Acceptable	Not Acceptable	Not Acceptable	Not Acceptable

- Acceptable combinations
- Typical American installation