

GTD72EBSN/EBPN

GE® 7.4 Cu. Ft. Capacity Aluminized Alloy Drum Electric Dryer With HE Sensor Dry

DIMENSIONS AND INSTALLATION INFORMATION (IN INCHES)

ELECTRIC DRYER RATING:		
240V	5600W	24A 60Hz
208V	4400W	22A 60Hz

EXHAUST OPTION: 4-way rear, right, left and bottom

CIRCUIT REQUIREMENTS: An individual, properly-grounded branch circuit, protected by a 30-amp circuit breaker or a time-delay fuse, is required.

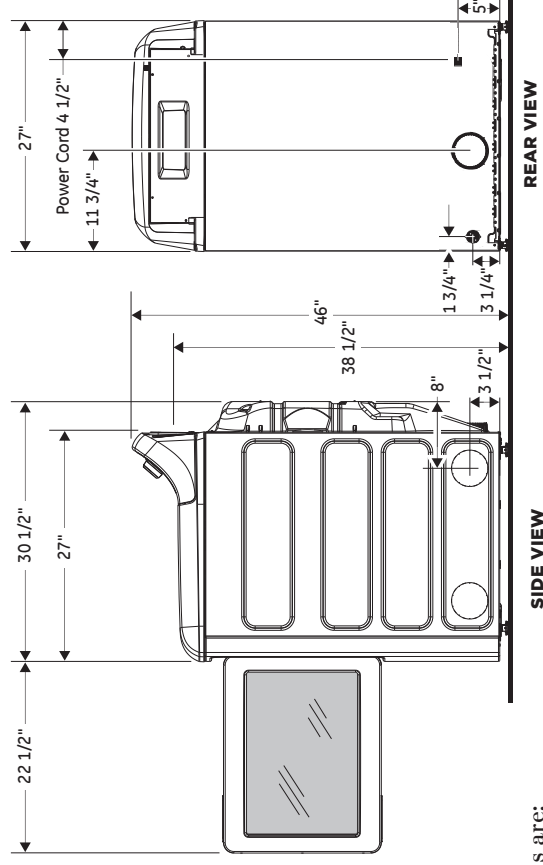
NOTE: Dryer wall outlet must be located within 36" of service cord entry and accessible when dryer is mounted in position.

INSTALLATION INFORMATION: For complete information, see installation instructions packed with your dryer.

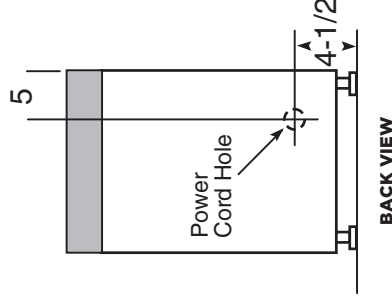
Special Installation Requirements

ALCOVE OR CLOSET INSTALLATION:

- If your dryer is approved for installation in an alcove or closet, it will be stated on a label on the dryer back.
 - The dryer **MUST** be exhausted to the outside.
 - Minimum clearances between dryer cabinet and adjacent walls or other surfaces are: 0" either side; 1" front, top and rear
 - Closet doors must be louvered or otherwise ventilated and must contain a minimum of 60 sq. in. of open area equally distributed. If this closet contains both a washer and a dryer, doors must contain a minimum of 120 sq. in. of open area equally distributed.
 - No other fuel-burning appliance shall be installed in the same closet with a gas dryer.
- BATHROOM OR BEDROOM INSTALLATION:**
- The dryer **MUST** be exhausted to the outdoors.
 - The installation must conform with the local codes, or in the absence of local codes, with the National Electric Code and National Fuel Gas Code, ANSI Z223 for gas dryers.
- MINIMUM CLEARANCES OTHER THAN ALCOVE OR CLOSET INSTALLATION:**
- Minimum clearances to combustible surfaces are: 0" both sides; 1" rear
- DRYER EXHAUSTING INFORMATION:** Use metal duct only, vertical and horizontal ducting.



POWER CORD LOCATIONS



For answers to your Monogram, GE Café™ Series, GE Profile™ Series or GE Appliances product questions, visit our website at geappliances.com or call GE Answer Center® Service, 800.626.2000.



Listed by
Underwriters
Laboratories

Specification Created 7/19

GTD72EBSN/EBPN

GE® 7.4 Cu. Ft. Capacity Aluminized Alloy Drum Electric Dryer With HE Sensor Dryer

FOR COMPLETE INFORMATION, SEE INSTALLATION INSTRUCTIONS PACKED WITH YOUR DRYER.

DUCTING MATERIALS:

For best performance, this dryer should be vented with 4" diameter all rigid metal exhaust duct. If rigid metal duct cannot be used, then UL-listed flexible metal (semi-rigid) ducting can be used (Kit WX08X10077). In special installations, it may be necessary to connect the dryer to the house vent using a flexible metal (foil-type) duct. A UL-listed flexible metal (foil-type) duct may be used ONLY in installations where rigid metal or flexible metal (semi-rigid) ducting cannot be used AND where a 4" diameter can be maintained throughout the entire length of the transition duct. Please see installation instruction packed with your dryer for complete instructions when using flexible metal (foil type) ducting.

EXHAUST LENGTH CALCULATION:

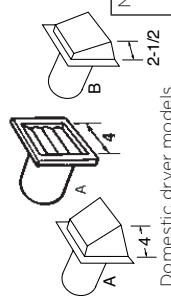
1. Determine the number of 90° turns needed for your installation. If you exhaust to the side or bottom of dryer, add one turn.
2. The maximum length of 4" rigid (aluminum or galvanized) duct which can be tolerated is shown in the table. A turn of 45° or less may be ignored. Two 45° turns within the duct length should be treated as a 90° elbow. A turn over 45° should be treated as a 90° elbow. Dryers must be exhausted to the outside.

CAUTION: For personal safety do not terminate exhaust into a chimney, under any enclosed house floor (crawl space), or into an attic, since the accumulated lint could create a fire hazard or moisture could cause damage. Never terminate the exhaust into a common duct or plenum with a kitchen exhaust, since the combination of lint and grease could create a fire hazard.

Exhaust ducts should be terminated in a dampered wall cap to prevent back drafts, bird nesting, etc. The wall cap must also be located at least 12" above the ground or any other obstruction with the opening pointed down.

FOR MORE INFORMATION ON VENTING KITS AND ACCESSORIES, PLEASE CALL 1-800-GE-CARES.

DRYER EXHAUSTING INFORMATION – USE METAL DUCT ONLY VERTICAL AND HORIZONTAL DUCTING



BEST PERFORMANCE	
Maximum length of 4" dia rigid metal duct	Exhaust hood type
Number of 90° turns	A B
0	4" opening 90 ft.
1	100 ft. 75 ft.
2	85 ft. 65 ft.
3	70 ft. 55 ft.
4	60 ft. 45 ft.
5	55 ft. 35 ft.

For every extra 90° elbow, reduce the allowable vent system length by 10 ft.
Two 45° elbows will be treated like one 90° elbow.
For the side exhaust installations, add one 90° elbow to the chart.
When calculating the total vent system length, you must add all the straight portions and elbows of the system (including the transition duct).

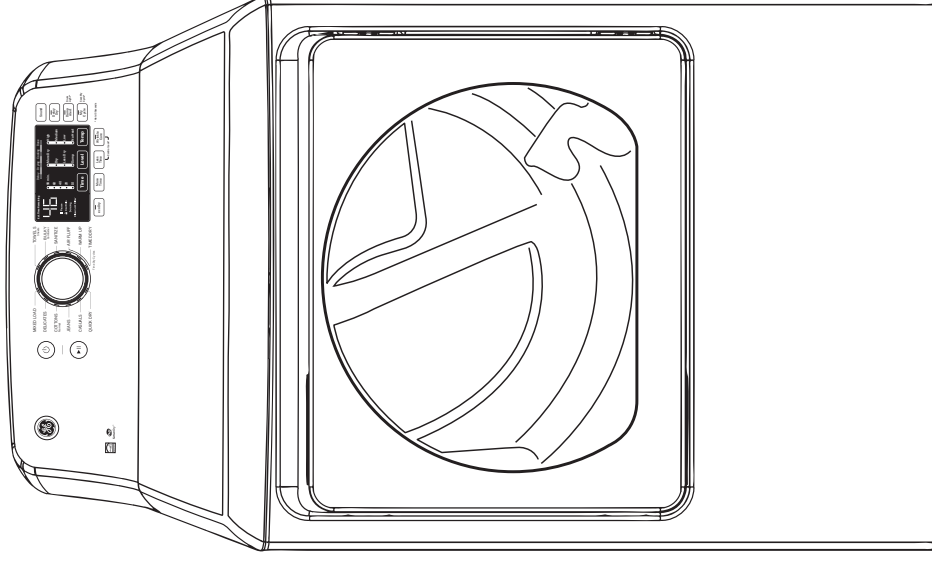


GTD72EBSN/EBPN

GE® 7.4 Cu. Ft. Capacity Aluminized Alloy Drum Electric Dryer With HE Sensor Dry

FEATURES AND BENEFITS

- HE Sensor Dry** – Prevent over-drying and get more wear out of your clothing thanks to innovative dual thermistor technology, that continually monitors temperature and moisture in the dryer.
- Up to 120 ft. venting** – Maximize your dryer's performance with innovative venting, designed to provide optimal airflow, enhanced drying ability, and flexible installation.
- Wrinkle Care** – Spend less time ironing thanks to an innovative wrinkle care system that allows you to tumble clothes without heat to reduce creasing.
- My Cycle Settings** – Streamline your laundry by choosing your favorite dryer settings on any cycle and saving them for future use.
- Quick Dry** – Dry a full load in less time thanks to innovative quick dry technology.
- Damp Alert** – Be notified when clothes are the ideal dampness to remove from the dryer for wrinkle-free results.
- Dry Level Options** – Four different drying levels to dry the way you want.
- Temperature Options** – Four different temperatures for full control over the drying process.
- Sanitize Cycle** – Reduce certain types of bacteria by 99.8% with this cycle.
- Warm Up** – Quickly warm up your clothes and release set wrinkles.
- ENERGY STAR® qualified** - Meets or exceeds federal guidelines for energy efficiency for year-round energy and money savings
- Check Vent Alert** - Ensure optimal drying performance with this notification to alert you when your dryer vent needs to be cleaned.
- Model GTD72EBSNWS** – White with silver backsplash
- Model GTD72EBPNDG** – Diamond Gray



Listed by
Underwriters
Laboratories

Specification Created 7/19