

# JB655DK

## GE Appliances 30" Free-Standing Electric Range

### DIMENSIONS AND INSTALLATION INFORMATION (IN INCHES)

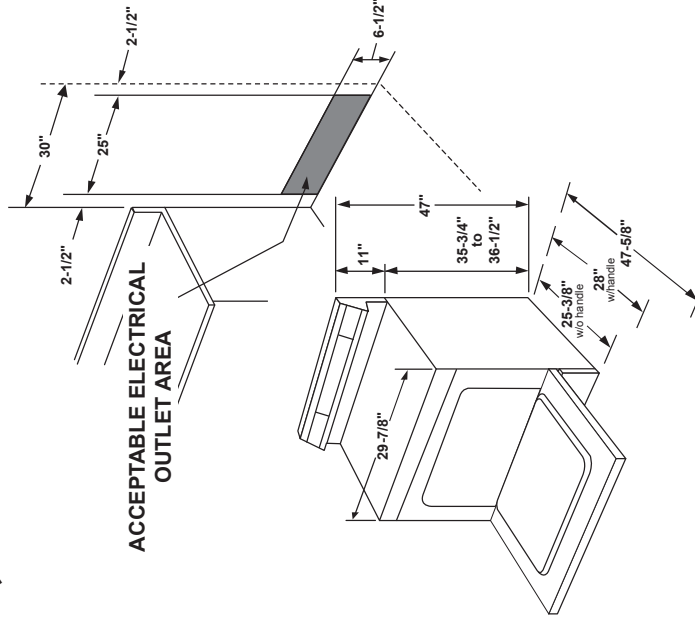
**RECEPTACLE LOCATIONS:** Locally approved flexible service cord or conduit must be used because terminals are not accessible after range installation. See shaded area in drawing for location of electrical outlet box. Recommended outlet locations allow range to be installed directly against wall.

**NOTE:** This appliance has been approved for 0" spacing to adjacent surfaces above the cooktop. However, a 6" minimum spacing to surfaces less than 15" above the cooktop and adjacent cabinet is recommended to reduce exposure to steam, grease splatter and heat.

**INSTALLATION INFORMATION:** Before installing, consult installation instructions for current dimensional data and additional requirements.

KW RATING	
240V	12.5
208V	9.4
BREAKER SIZE	
240V	40 Amps <sup>1</sup>
208V	40 Amps <sup>1</sup>

**NOTE:** Check local codes for required breaker size.



For answers to your Monogram, GE Café™ Series, GE Profile™ Series or GE Appliances product questions, visit our website at [geappliances.com](http://geappliances.com) or call GE Answer Center® Service, 800.626.2000.



All GE Appliances ranges are equipped with an Anti-Flip device. The installation instructions must be read and followed for proper step in the installation of the range.

Listed by Underwriters Laboratories

Specification Revised 6/18

# **JB655DK**

## *GE Appliances 30" Free-Standing Electric Range*

### **FEATURES AND BENEFITS**

- 12"/9" dual element – Two heating elements in one offer flexibility
- 9"/6" Power Boil element – Produces rapid, powerful heat
- Convection – Enjoy even baking without turning the pan
- Fifth element warming zone – Provides low-heat capability for foods
- Self-clean oven – Cleans the oven cavity without the need for scrubbing
- 5.3 cu. ft. oven capacity – Enough room to cook an entire meal at once
- Removable full-width storage drawer - Store cookware or kitchen accessories
- Model JB655DKBB – Black on black
- Model JB655DKCC – Bisque on bisque
- Model JB655DKWW – White on white

