



1.7 cu. ft. Over-the-Range Microwave Hood Combination

WMH31017H



Fingerprint Resistant Stainless Steel
WMH31017HZ

Capacity

Total 1.7 cu. ft.

General Features & Properties

2-Speed, 300 CFM Motor Class

Add 30 Seconds Option

Adjustable Cooktop Lighting

Electrical Details

Amps 16

Volts 120

Technical Details

Microwave Type Over-the-Range

CFMs 300

Lighting Type Incandescent

Number of Speeds 2

Venting Type Updraft

Dimensions

Product Dimensions (H x W x D) 17-1/8" x 29-15/16" x 15-9/16"

Depth with Door Open 90° 39-3/8"

Cutout Dimensions (W x D) 30" x 12" minimum

Reference Material

[Dimension Guide](#)

[Install Guide](#)

[Use & Care Guide](#)

[Warranty](#)

Also available in:

White **WMH31017HW**

Black **WMH31017HB**

Stainless Steel **WMH31017HS**

Key Features & Benefits

Microwave Presets

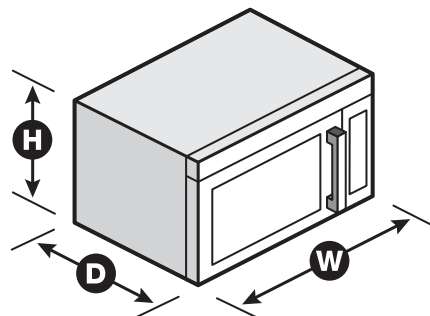
Get just the right amount of heat and time, whether you're cooking or defrosting, with specific preset options.

Electronic Touch Controls

Navigate through cooking modes and options with controls that are as easy to use as they are to clean.

Dishwasher-Safe Turntable Plate

Clean up spills on the turntable by simply putting it in the dishwasher.



NOTE: Dimensions are for planning purposes only. For complete details, see Installation Instructions packed with product. Specifications subject to change without notice.

®/™ © 2020. All rights reserved. Printed in the U.S.A. D200104XXE. WMH31017HSpecSheetV01.