

## 30" Smart Slide-In Electric Range with Convection

QSS740RNSS



Available  
May 2020

### Unit Specifications

|        |              |
|--------|--------------|
| Width  | 29 7/8"      |
| Depth  | 29 1/4"      |
| Height | 37 3/8"      |
| Weight | 236 lbs.     |
| UPC    | 084691845300 |

### Warranty

— 1 Year Warranty (Parts and Labor)

### Available Finishes



Stainless Steel  
QSS740RNSS



Black Stainless  
QSS740BNTS

### Signature Features

#### WiFi Connect

Wherever you are, you've got cooking down. Because now you can control advanced features, such as a no preheat option, pizza mode and snack mode, all from the Smart HQ App.

#### Quick clean

Good with cooking but not with cleaning? No worries. This Haier range with Quick Clean steam-cleaning technology makes removing baked-on cooking spills fast and easy.

#### Oven cooking modes

Cooking made easy - there's an app for that! This foodie-friendly app helps you select the right cooking mode for your favorite treats, like baked goods, frozen pizza and frozen snacks.

#### 9"/6" adjustable burner

The flexible feature that matches your cooking style. The 9"/6" burner adjusts to the size of your pot for just the right amount of heat.

#### Hidden bake

Busy lifestyles don't stop for cooking spills. Hidden bake element sits beneath a smooth surface, making cleaning fast and easy.

#### Backlit color-changing oven knobs

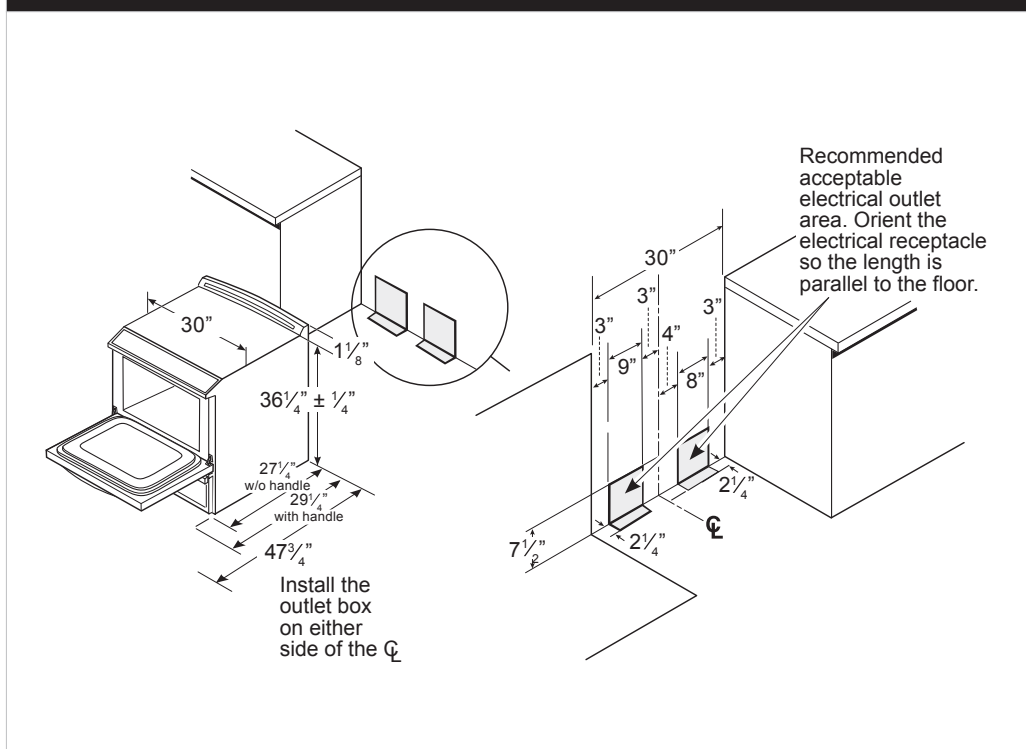
In the city, streetlights show the way. On your oven, backlit color-changing knobs do the same. LED knob lights illuminate to show which cooking mode has been turned on.

#### Fan convection

Smart design elevates your baking. Oven fan continuously circulates heated air for more even baking and roasting results.

| Overall Packaging Details |                |
|---------------------------|----------------|
| Packaging                 | lb./in.        |
| Gross Weight              | 256 lbs.       |
| Dimensions                | <b>W</b> 32.5" |
|                           | <b>D</b> 31.5" |
|                           | <b>H</b> 44.5" |
| Power Requirements        |                |
| Electrical Rating         | 208/240V;60Hz  |

### Product Technical Illustration



### General Appliance Information

Please read all installation details and instructions before use.

### Contact Us

For questions regarding this product please refer to our website at [haierappliances.com](http://haierappliances.com) or call our customer service center at 877-337-3639.