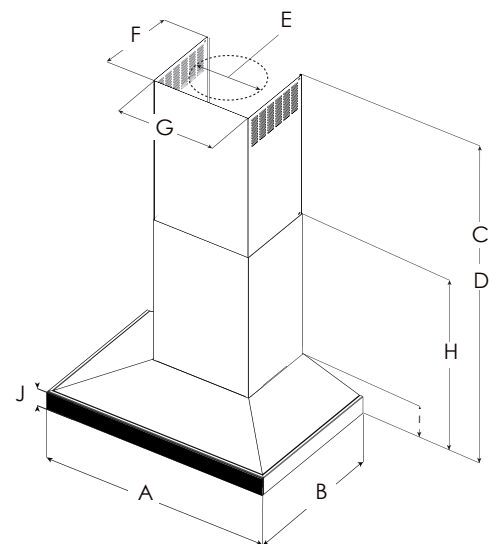


TECHNE SERIES LUGANO



ELICA'S EXCLUSIVE PLUS FEATURES

The pairing of glass and brilliant stainless steel, make it ideal for any kitchen and will blend perfectly with other appliances. Perimeter Aspiration technology helps to achieve Top Performance by delivering more powerful and efficient fume extraction, plus it reduces noise. Available in 30" & 36" widths, Lugano includes a powerful 600 CFM blower, LED lighting with dimmable feature and glass capacitive touch controls.



| | ELG630S3 | ELG636S3 |
|-----|--|---------------|
| A | 30" (76 cm) | 36" (91.2 cm) |
| B | 19 ⁷ / ₈ " (50.5 cm) | |
| C* | Max: 42 ¹ / ₄ " (107.3 cm) Min: 28 ¹ / ₆₄ " (71.8 cm) | |
| D** | Max: 38 ⁴ / ₆₄ " (98.3 cm) Min: 24 ³ / ₆₄ " (62.5 cm) | |
| E | 6" (15.2 cm) | |
| F | 10 ³ / ₆₄ " (26.8 cm) | |
| G | 13 ¹ / ₃₂ " (33.1 cm) | |
| H | 23 ¹ / ₆ " (60.8 cm) | |
| I | 4 ⁶ / ₆₄ " (12.6 cm) | |
| J | 2 ³ / ₈ " (6 cm) | |

* Ductless (Recirculating) version
** Ducted version

SPECIFICATIONS



| | 30" Unit | 36" Unit |
|---|--|---------------------------------|
| Model: | ELG630S3 | ELG636S3 |
| Dimensions: | 30" W x 19 7/8" D x 23 15/16" H | 36" W x 19 7/8" D x 23 15/16" H |
| Blower Type(internal): | 600 CFM(4-speed) | |
| Blower Performance: | | |
| Speed 1 | 160 CFM | |
| Speed 2 | 280 CFM | |
| Speed 3 | 470 CFM | |
| Speed 4 | 600 CFM | |
| Noise (sones): Woking Speed | Min: 2.03, Max: 8 | |
| Finish: | Stainless Steel with black glass | |
| Controls: | Touch Control 3 Speeds + Booster | |
| Illumination: | 2 LED Premium Dimmable Lights, 2.5 w | |
| Filter Type: | Aluminum Mesh Filter + Perimeter Aspiration | |
| Number of filters: | 3 | 4 |
| Electrical: | 120V - 60 Hz 450 Watt at 3.7 Amp | |
| Installation Type: | Ducted or Recirculating with Recirculating Kit (sold separately) | |
| Duct Transition: | Top Round 6" | |
| KITS: | | |
| Recirculating Kit: | KIT0141925 | |
| Chimney Extension Kit: | KIT02785 | |
| CONSUMABLE PARTS: | | |
| Charcoal Filter Replacement: | MAT0100812 | |
| Grease Filter Replacement: | GF09PB | |
| INSTALL HEIGHTS: | | |
| Ranger Hood: | Ducted - Min: 7'0", Max: 9'2" Recirculating - Min: 7'5", Max: 9'6" | |
| Ranger Hood with extension duct covers: | Ducted - Min: 8'8", Max: 12'4" Recirculating - Min: 9'0", Max: 12'8" | |

Consumable parts are sold in units of one (1). Order accordingly

*The product images shown are for illustration purposes only and may not be an exact representation of the product.

PLUS FEATURES

*The product images shown are for illustration purposes only and may not be an exact representation of the product.



CFM REDUCTION - CFM Reduction System (CRS), is an exclusive feature to Elica hoods, which enables the user directly in the glass touch control the maximum blower CFM, to meet local code requirements.



DIM LIGHT - The Dimmer allows you to adjust the brightness of the light as you wish. With Elica, lighting is customized in a discreet, personal and practical way, in order to contribute in creating the perfect kitchen atmosphere.



TOUCH CONTROLS - Enjoy effortless cooking and fully control each cooking zone with the tip of a single finger.



HUSH SYSTEM - An exclusive sound deadening technology that effectively reduces sound levels by over 35%



TOP PERFORMANCE - Excellent performance for models equipped with this plus. High fume capturing capacity with an average aspiration range of 600 CFM's and a noise level between 60-65 db (A) at maximum speed (reference point varies based on the hood category).



LED LIGHT - LED lighting is undoubtedly the smartest solution in terms of energy saving. Expected life time of over 20,000 hours.