

JB645EK/RK

GE® Series 30" Free-Standing Electric Range

DIMENSIONS AND INSTALLATION INFORMATION (IN INCHES)

RECEPTACLE LOCATIONS

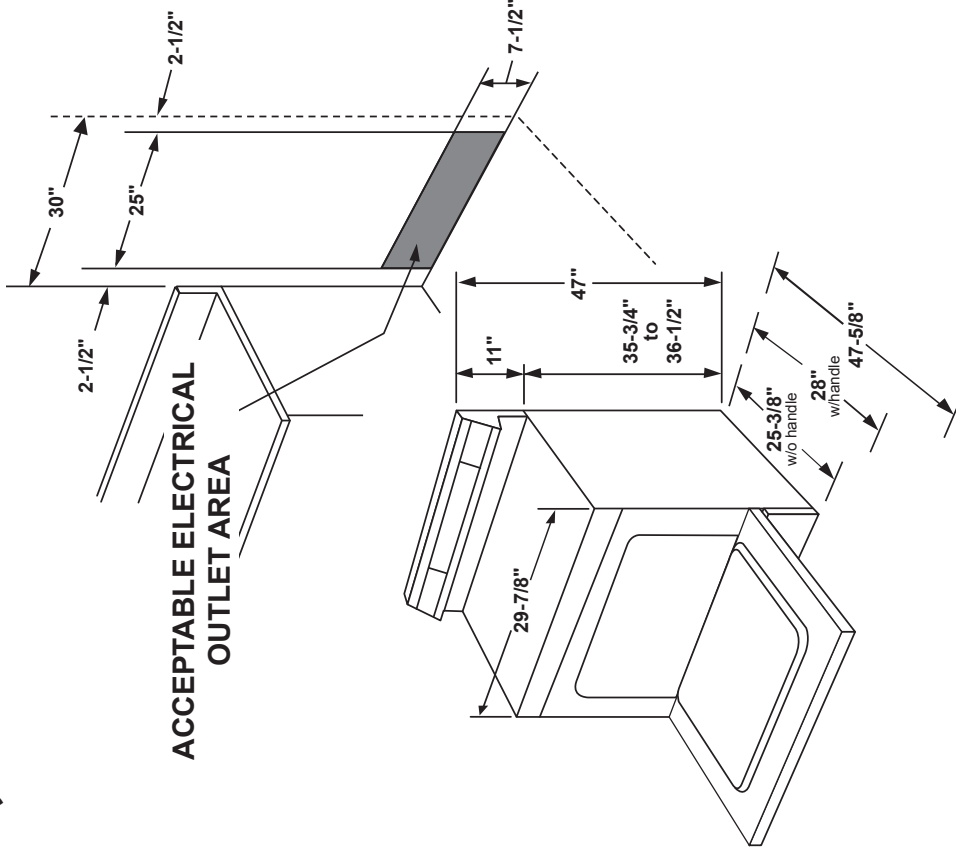
Locally approved flexible service cord or conduit must be used because terminals are not accessible after range installation. See shaded area in drawing for location of electrical outlet box. Recommended outlet locations allow range to be installed directly against wall.

NOTE: This appliance has been approved for 0" spacing to adjacent surfaces above the cooktop. However, a 6" minimum spacing to surfaces less than 15" above the cooktop and adjacent cabinet is recommended to reduce exposure to steam, grease splatter and heat.

INSTALLATION INFORMATION: Before installing, consult installation instructions for current dimensional data and additional requirements.

| KW RATING | |
|--------------|----------|
| 240V | 12.1 |
| 208V | 9.1 |
| BREAKER SIZE | |
| 240V | 40 Amps† |
| 208V | 40 Amps† |

†NOTE: Check local codes for required breaker size.



All GE ranges are equipped with an Anti-Flip device. The installation of this device is an important, required step in the installation of the range.



Listed by Underwriters Laboratories



For answers to your Monogram, GE Cafe™ Series, GE Profile™ Series or GE® Series appliance questions, visit our website at geappliances.com or call GE Answer Center® service, 800.626.2000.



GE APPLIANCES

JB645EK/RK

GE® Series 30" Free-Standing Electric Range

FEATURES AND BENEFITS

Two 9"/6" Power Boil elements – Two powerful elements boil water 25% faster than standard GE elements and adjust to fit cookware

Self-clean oven – Cleans the oven cavity without the need for scrubbing

Dual-element Bake – Upper and lower elements produce even heat and great results

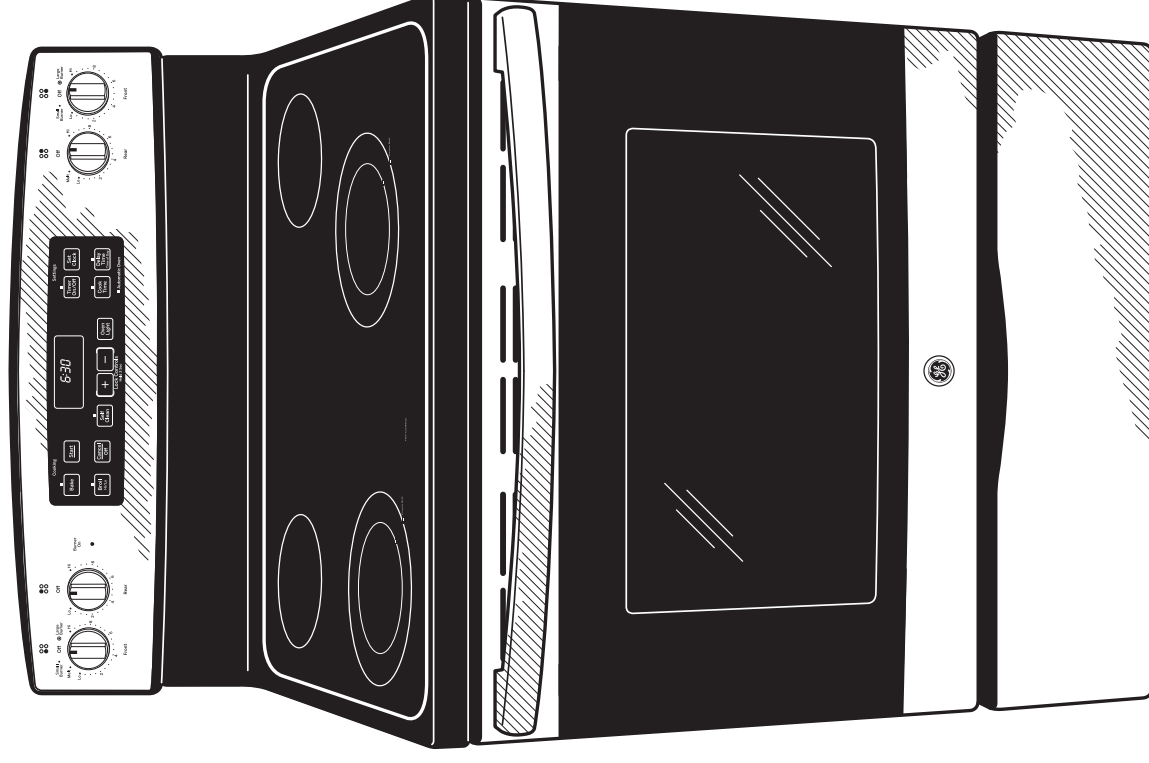
Ceramic glass cooktop – Smooth cooktop easily wipes clean

Removable full-width storage drawer – Store cookware or kitchen accessories

5.3 cu. ft. oven capacity – Enough room to cook an entire meal at once

Model JB645RKSS – Stainless steel

Model JB645EKES – Slate



GE APPLIANCES