

18" Built-In Dishwasher

QDT125SSL

Available Q1 2018



Unit Specifications

Width	17 3/4"
Depth	23 1/2"
Height	32 1/2"
Weight	71 lbs.

More Easy-To-Use Features

- Sanitize (NSF Certified)
- WiFi capable
- 47 dBA

Available Finishes



Stainless Steel
QDT125SSLSS

Signature Features

ADA Compliant with Low-Profile Installation

Great for 34" counter top heights and raised subfloors

3 Level Wash

Powerful wash arms enable exceptionally clean dishes

Autosense Cycle

Ideal cycle time adjusted based on soil levels and water temperature

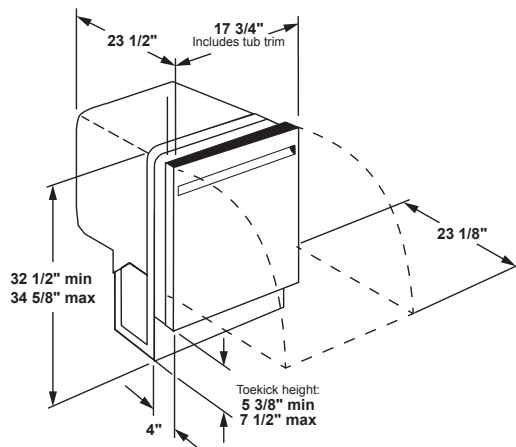
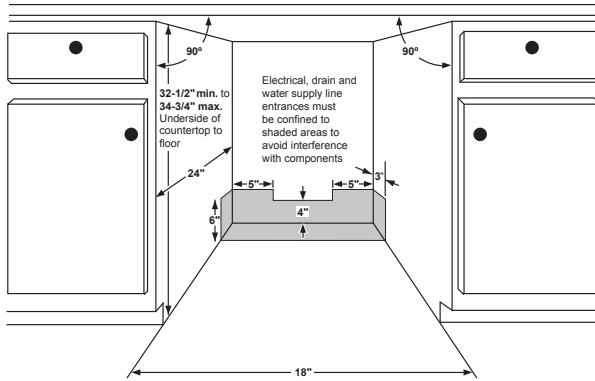
PIRANHA Hard Food Disposer with Removable Filter

A stainless steel blade pulverizes food particles at 3600 RPM to ensure consistently clean items

Power Requirements

Electrical Rating	120V,60Hz,8.9A
-------------------	----------------

Product Technical Illustration



General Appliance Information

Please read all installation details and instructions before use.

Contact Us

For questions regarding this product please refer to our website at haieramerica.com or call our customer service center at 877-337-3639.

