

# GNW128PSMWW

*GE® Space-Saving 2.8 DOE Cu. Ft. Capacity Portable Washer with Stainless Steel Basket*

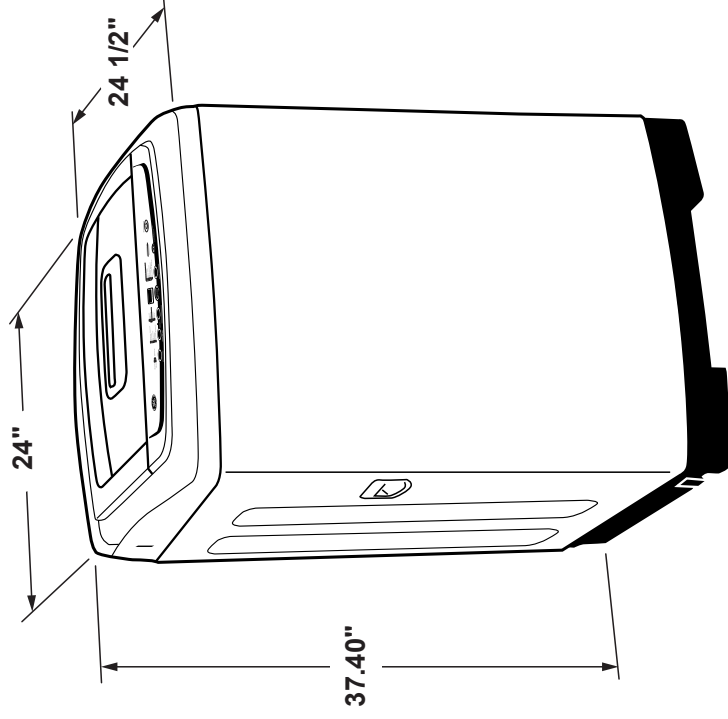
## DIMENSIONS AND INSTALLATION INFORMATION (IN INCHES)

**CIRCUIT REQUIREMENTS:** An individual, properly-grounded branch circuit, with a three-prong grounding-type receptacle, protected by a 15 or 20 amp circuit breaker or a time-delay fuse, is required.

**ELECTRICAL RATING:** 120V; 60Hz

**WASHER NOTE:** Washer wall outlet must be located within 36" of service cord entry. Wall outlet must not be located behind dryer.

Installation Information: For complete information, see installation instructions packed with your washer.



For answers to your Monogram, GE Café™ Series, GE Profile™ Series or GE Appliances product questions, visit our website at [geappliances.com](http://geappliances.com) or call GE Answer Center® Service, 800.626.2000.



Listed by  
Underwriters  
Laboratories

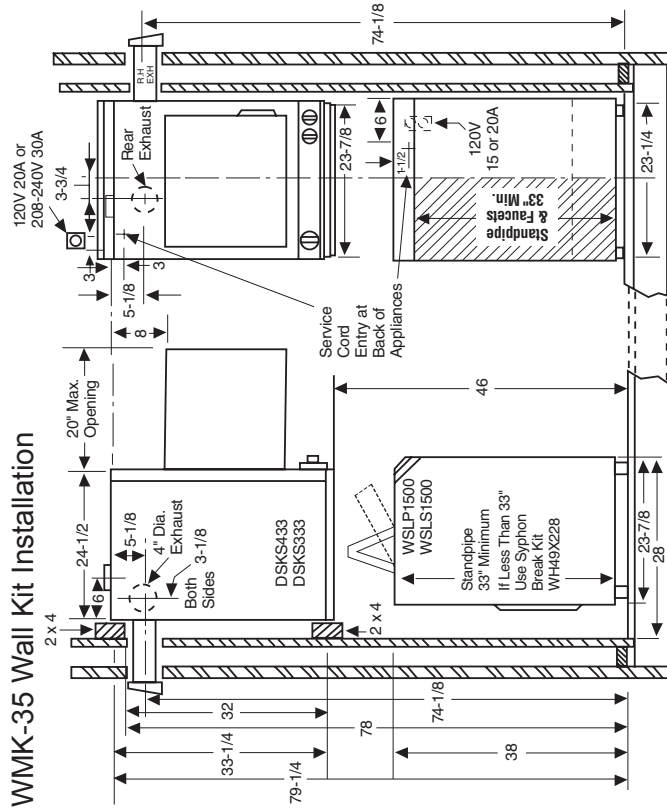
Specification Revised 2/18

# GNW128PSMWW

## GE® Space-Saving 2.8 DOE Cu. Ft. Capacity Portable Washer with Stainless Steel Basket

### DIMENSIONS AND INSTALLATION INFORMATION (IN INCHES)

#### WMK-35 Wall Kit Installation



#### General Information:

The back of the dryer is not accessible for service or maintenance after dryer mounting installation is complete. It is recommended that the dryer be checked and electrical installation completed prior to mounting. For service or maintenance requiring rear access, the dryer must be removed from the wall.

**CAUTION: DISCONNECT ELECTRICAL CURRENT BEFORE INSTALLING OR SERVICING DRYER.**

The electrical outlet must be located above the dryer, or beside the dryer if adequate dryer-to-wall clearance is available. The outlet must be within three feet on a 240 volt dryer or a 120 volt dryer from the service cord entry on the rear of the dryer.



For answers to your Monogram, GE Café™ Series, GE Profile™ Series or GE Appliances product questions, visit our website at [geappliances.com](http://geappliances.com) or call GE Answer Center® Service, 800.626.2000.

#### Dryer Mounting Position

These instructions explain two mounting positions for your 24 inch dryer.

#### Installation Procedure:

1. Obtain two pieces of 2x4 long enough to span at least two wall studs and the width of the dryer.
2. Locate wall stud center lines. Mark wall stud center lines on two pieces of 2x4 in relationship to position dryer is to be mounted.
3. Referring to dimensional drawing, draw a horizontal reference line (72") from the floor to locate upper 2x4 support.
4. Position, level and secure upper 2x4 with four 1/4 x 3 inch wood screws. The bottom of the 2x4 should be positioned on reference line.
5. Referring to dimensional drawing, draw a horizontal reference line 32" down from the bottom of the upper 2x4 support.
6. Position, level and secure lower 2x4 with two 1/4 x 3 inch wood screws. The center line of the 2x4 should be positioned on reference line.
7. Referring to figure 1, mount the metal wall bracket 1/8 inch from the bottom of the upper 2x4 support with five 1-1/2 inch wood screws.
8. Referring to figure 2, remove one screw from each lower rear corner of dryer and, using same screws, secure lower brackets (supplied) as shown.
9. Dryer is supplied with exhaust at the top. locate and install outside exhaust duct referring to the dimensional drawing. For other optional exhaust directions as shown in dimensional drawing (rear and sides) refer to dryer installation instruction sheet.
10. Position the dryer on the wall mounting bracket and check that the dryer is plumbed.
11. If the dryer needs plumbing, use some of the twelve washers supplied with the kit as spacers behind lower brackets of figure 2 and secure the dryer to the lower 2x4 support using the remaining 1-1/2 inch wood screws.

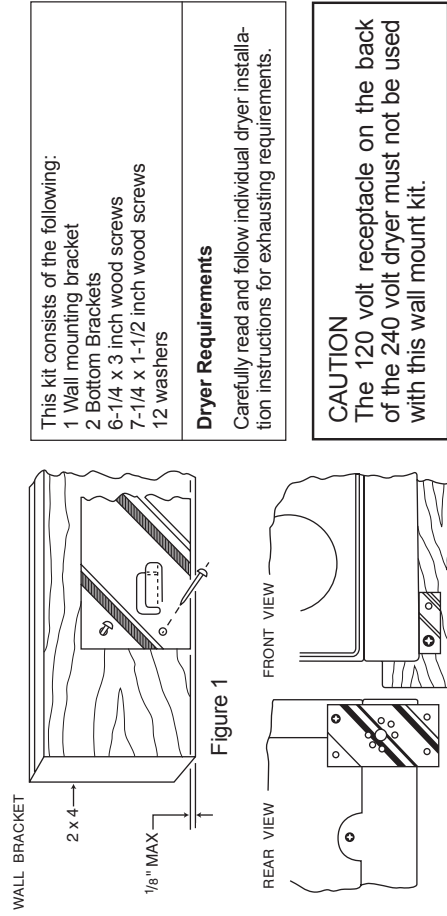


Figure 2

This kit consists of the following:  
 1 Wall mounting bracket  
 2 Bottom Brackets  
 6-1/4 x 3 inch wood screws  
 7-1/4 x 1-1/2 inch wood screws  
 12 washers

#### Dryer Requirements

Carefully read and follow individual dryer installation instructions for exhausting requirements.

**CAUTION**  
 The 120 volt receptacle on the back of the 240 volt dryer must not be used with this wall mount kit.

# **GNW128PSMWW**

## ***GE® Space-Saving 2.8 DOE Cu. Ft. Capacity Portable Washer with Stainless Steel Basket***

### **FEATURES AND BENEFITS**

- Large Capacity – Ample space for clothes for fewer wash loads
- Small Footprint – Perfect for small spaces that won't fit a full size washer
- Caster Wheels Included – Easily maneuver and store the portable washer between uses
- Included Unicoupler – Quickly connect the washer hoses to a standard kitchen or bathroom sink
- Electronic one-touch controls with LED read-out – Simplify cycle selection and provide accurate cycle times
- 8 wash cycles – Handle various fabrics and soils
- Four Wash Temperatures – Maximize results by selecting the perfect temperature for your fabri
- Stainless steel basket – It resists rust and won't chip, peel or snag clothes
- Model GNW128PSMWW – White

