

PHS930BL/SL/FL/BM

GE Profile™ Series 30" Slide-In Front Control Induction and Convection Range

DIMENSIONS AND INSTALLATION INFORMATION (IN INCHES)

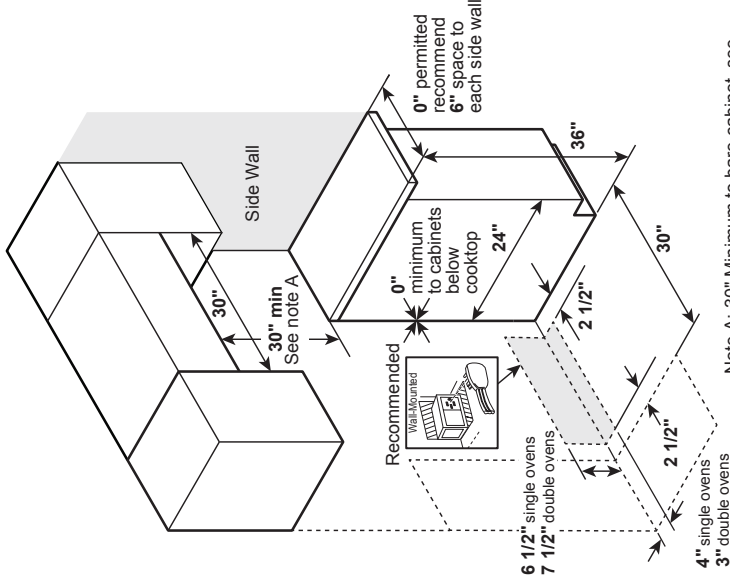
RECEPTACLE LOCATIONS: Locally approved flexible service cord or conduit must be used because terminals are not accessible after range installation. See shaded area in drawing for location of electrical outlet box. Recommended outlet locations allow range to be installed directly against rear wall.

NOTE: This appliance has been approved for 0" spacing to adjacent surfaces above the cooktop. However, a 6" minimum spacing to surfaces less than 15" above the cooktop and adjacent cabinet is recommended to reduce exposure to steam, grease splatter and heat.

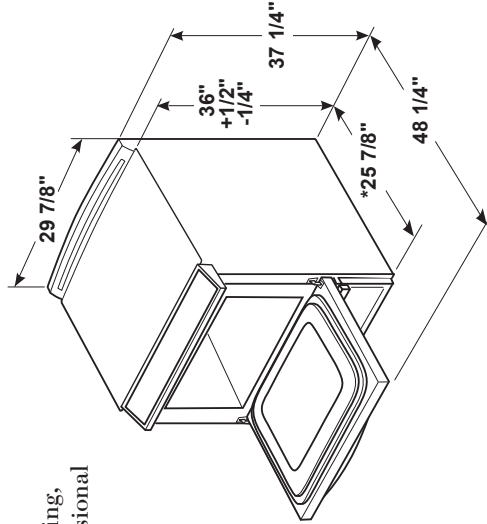
INSTALLATION INFORMATION: Before installing, consult installation instructions for current dimensional data and additional requirements

KW RATING	
240V	12.5
208V	10.4
BREAKER SIZE	
240V	40 Amps [†]
208V	40 Amps [†]

NOTE: Check local codes for required breaker size.



Note A: 30" Minimum to bare cabinet, see installation instructions heights less than 30"



[†]Depth including door handle is approximately 28 1/4".



For answers to your Monogram, GE Café™ Series, GE Profile™ Series or GE Appliances product questions, visit our website at geappliances.com or call GE Answer Center® Service, 800.626.2000.



All GE Appliances ranges are equipped with an Arc-Fire device. The installation of this device is an important, required step in the installation of the range.



Specification Revised 1/19

PHS930BL/SL/FL/BM

GE Profile™ Series 30" Slide-In Front Control Induction and Convection Range

FEATURES AND BENEFITS

- Induction cooktop technology – Innovative, fast, efficient cooking
- Glide touch controls – Precisely control element temperature with just the swipe of a finger
- 11" 3700-watt induction element – Powerful enough to boil a quart of water in 101 seconds yet gentle enough for delicate sauces
- Two 8" 2500-watt synchronized elements – Control two 8" elements simultaneously to evenly heat large cookware or griddles
- Wi-fi Connect – Wirelessly control oven functions from your smartphone
- Chef Connect – Three options with a single touch. For instant convenience, choose when to automatically sync clocks and the range elements with the microwave's surface light and vent
- Self-clean, heavy-duty oven racks – Long-lasting racks look great and can be cleaned at the same time as the oven
- True European Convection with Precise Air – Accurate heat circulation ensures evenly baked foods
- Soft-close storage drawer – Drawer closes silently and softly with just a touch
- Fast preheat – Make hot meals in a hurry with less time preheating
- Model PHS930BLTS – Black stainless
- Model PHS930SLSS – Stainless steel
- Model PHS930FLDS – Black slate
- Model PHP9030BMTS – Black Stainless

GUARANTEED FIT

Replace your old 30" free-standing range with a new 30" slide-in model. GE slide-in ranges are guaranteed for an exact fit or GE Appliances will pay up to \$300 toward modifications.

Visit geappliances.com for more info

