



GE APPLIANCES

GFA24KITL

**ENGLISH/FRANÇAIS/
ESPAÑOL**

Installation Instructions

Stack Bracket Kit

Instructions d'installation

Trousse de fixation de superposition

Instrucciones de instalación

El kit de soporte de apilado

Installation Instructions

STACKING THE WASHER AND DRYER

BEFORE YOU BEGIN

Read these instructions completely and carefully.

- **IMPORTANT** – Save these instructions for local electrical inspector's use.
- **IMPORTANT** – Observe all governing codes and ordinances.
- **Note to Installer** – Be sure to leave these instructions with the Consumer.
- **Note to Consumer** – Keep these instructions for future reference.
- Service **must** be performed by a qualified installer.
- Do not allow children on or in the appliance. Close supervision of children is necessary when the appliance is used near children.
- Proper installation is the responsibility of the installer.

GE APPLIANCES STACK KIT

Order on-line at GEApplianceParts.com, 24 hours a day or by phone at **877.959.8688** during normal business hours.

Part Number **Accessory**
GFA24KITL Complete Stack Kit

REQUIREMENTS FOR ALCOVE OR CLOSET INSTALLATION

⚠ WARNING - Explosion Hazard

Keep flammable materials and vapors, such as gasoline, away from dryer.

Place dryer at least 18" (46 cm) above the floor for a garage installation.

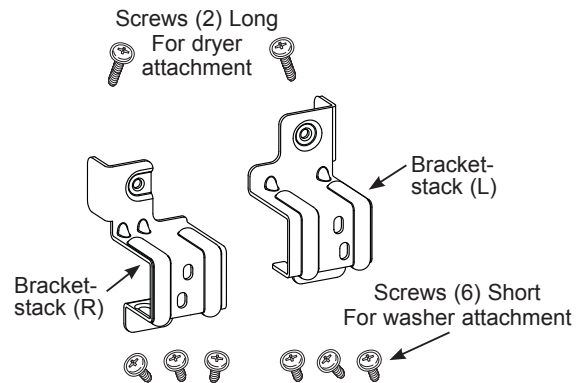
Failure to do so can result in death, explosion, or fire.

- Minimum clearance between dryer cabinet and adjacent walls or other surfaces is:
 - 1" either side
 - 3" front and rear
 - 1" top
- Consideration must be given to provide adequate clearance for installation and service.
- Closet doors must be louvered or otherwise ventilated and have at least 60 square inches of open area. If the closet contains both a washer and a dryer, doors must contain a minimum of 120 square inches of open area.

MINIMUM CLEARANCE OTHER THAN ALCOVE OR CLOSET INSTALLATION

Minimum clearance to combustible surfaces and for air opening are: 1" both sides, 3" rear and 1" top. Consideration must be given to provide adequate clearance for installation and service.

KIT CONTENTS (GE APPLIANCES KIT # GFA24KITL)



TOOLS YOU WILL NEED

- Phillips screwdriver
 - Level
 - Gloves
-

INSTALLATION PREPARATION

Remove the packaging.

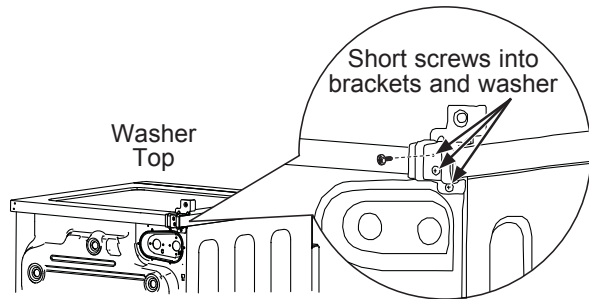
Flatten the product carton to use as a pad to lay the dryer down on its side. Continue using the carton to protect the finished floor in front of the installation location.

Installation Instructions

INSTALLING THE STACK BRACKET KIT

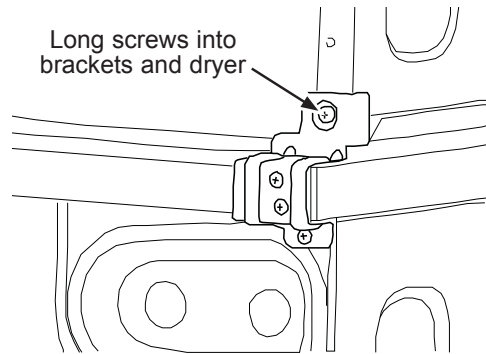
1 INSTALL BRACKET TO WASHER

- A. Remove washer top cap screw from the rear left. Align left bracket holes with top cap screw hole on rear left of the unit and replace screw. **NOTE:** Leave screws loose so dryer hole alignment will be easier.
- B. Drive next screw through the bracket into the rear of the washer.
- C. Repeat the above steps with the right side.



2 INSTALL DRYER AND BRACKET ON DRYER (CONT.)

- C. Tighten the dryer bracket screws; then tighten all stacking kit screws.



2 INSTALL DRYER AND BRACKET ON DRYER

⚠ WARNING Disconnect power before installing. Failure to do so could result in serious injury or death.

⚠ WARNING  - Excessive Weight Hazard

Failure to do so may result in back or other injury, or property damage.

- Use two or more people to install dryer.
- Avoid tipping and rupture of utility services.
- Dryer must be securely attached to the washer.
- **DO NOT** place the washer on top of the dryer.

- A. Lift the dryer on top of the washer. Protect the washer control panel with cardboard or other protection. Be sure to lift the dryer high enough to clear the washer control panel.
- B. Align the holes in the bracket with the holes in the back of the dryer. Using a Phillips screwdriver, attach the 2 #8 x 1/2" tapping screws.

3 FINALIZE THE INSTALLATION

⚠ CAUTION Do not push on the dryer once installed to top of the washer. Pushing on the dryer may result in pinched fingers.

- A. Refer to the washer Installation Instructions to complete the washer installation.
- B. Refer to the dryer Installation Instructions to complete the dryer installation.
- C. Carefully slide or walk the stacked washer and dryer into place. Use felt pads or other sliding device to assist moving and to protect flooring.

