

# GDT665SBN/SFN/SGN/SMN/SSN

*GE® Stainless Steel Interior Dishwasher with Hidden Controls*

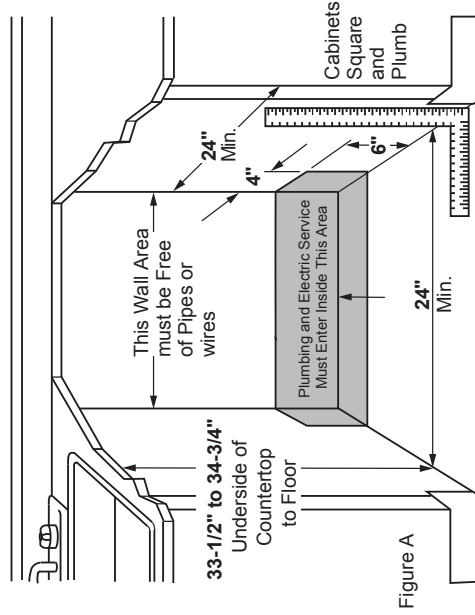
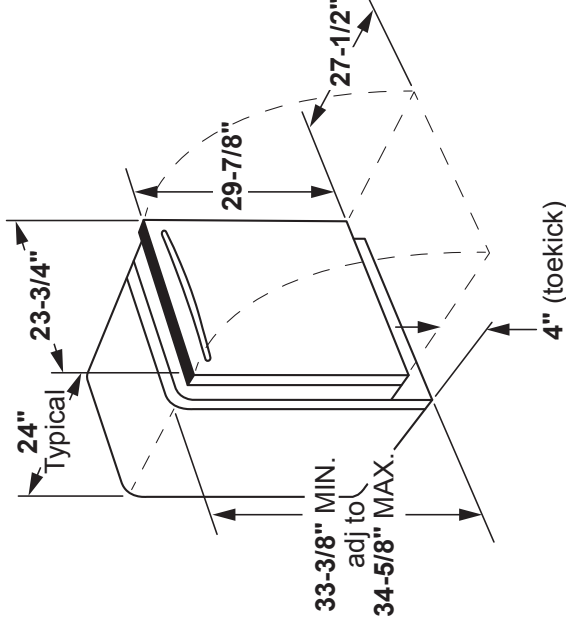
## DIMENSIONS AND INSTALLATION INFORMATION (IN INCHES)

### ELECTRICAL RATING

Voltage AC.....	120
Hertz.....	60
Total connected load amperage.....	6.6
Calrod® heater watts max.....	800/500

For use on adequately wired 120-volt, 15-amp circuit having 2-wire service with a separate ground wire. This appliance must be grounded for safe operation.

**INSTALLATION INFORMATION:** Before installing, consult installation instructions packed with product for current dimensional data.



Listed by Underwriters Laboratories



As an ENERGY STAR® partner, GE has determined that this product meets the ENERGY STAR guidelines for energy efficiency.

For answers to your GE Profile™ Series or GE Appliances product questions, visit our website at [geappliances.com](http://geappliances.com) or call GE Answer Center® Service, 800.626.2000.

# GDT665SBN/SFN/SGN/SMN/SSN

## GE® Stainless Steel Interior Dishwasher with Hidden Controls

### FEATURES AND BENEFITS

**Dry Boost™** with Fan Assist – Gets hard-to-dry items up to 3 times drier than heated dry cycles  
\*Compared to heated dry option

**Bottle Jets** – Clean hard-to-reach areas inside tall items with up to 4 dedicated jets integrated into the upper rack that shower water deep inside for the ultimate clean

**3rd Rack** – Easily clean an entire flatware collection, knives and small utensils with an additional rack across the top of the dishwasher

**Steam + Sani** – Loosens tough soils before any cycle virtually eliminating the need for soaking or pre-rinsing dishes. Plus a High-temperature rinse sanitizes and reduces 99.999% of bacteria found on dishes

**1 Hour Wash** - Enjoy a quality clean when you're short on time

**Adjustable Full-extension smooth-glide upper rack** – Loading and unloading is smooth and simple with a durable rack that fully extends on ball bearings

**Piranha Hard Food Disposer** – To ensure consistently clean items, this stainless steel blade rotates at 3,600 RPM to pulverize food particles and helps to prevent large particles from clogging the wash arms

**AutoSense cycle** – Automatically adjusts to soil level to maximize energy savings and ensure clean dishes

**16 Place Setting Capacity** – Easily clean dishes after large gatherings thanks to extra capacity that holds up to 16 place settings

**46 dBA** – Ultra-quiet operation creates a peaceful kitchen environment even as it delivers powerful wash performance

Model GDT665SSNSS – Stainless steel

Model GDT665SGNWW – White

Model GDT665SGNBB – Black

Model GDT665SSMNES – Slate

Model GDT665SBNTS – Black Stainless

Model GDT665SFNDS – Black Slate

