

JBS60DK

GE® Series 30" Free-Standing Electric Range

DIMENSIONS AND INSTALLATION INFORMATION

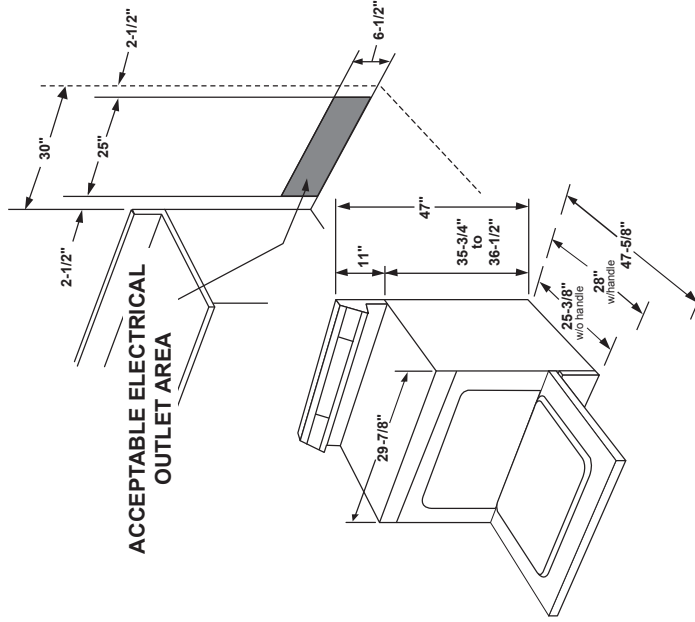
RECEPTACLE LOCATIONS: Locally approved flexible service cord or conduit must be used because terminals are not accessible after range installation. See shaded area in drawing for location of electrical outlet box. Recommended outlet locations allow range to be installed directly against wall.

NOTE: This appliance has been approved for 0" spacing to adjacent surfaces above the cooktop. However, a 6" minimum spacing to surfaces less than 15" above the cooktop and adjacent cabinet is recommended to reduce exposure to steam, grease splatter and heat.

INSTALLATION INFORMATION: Before installing, consult installation instructions for current dimensional data and additional requirements.

KW RATING	
240V	11.0
208V	8.3
BREAKER SIZE	
	40 Amps ¹

¹**NOTE:** Check local codes for required breaker size.



For answers to your Monogram, GE Café™ Series, GE Profile™ Series or GE Appliances product questions, visit our website at geappliances.com or call GE Answer Center® Service, 800.626.2000.



All GE Appliances ranges are equipped with an Arc-Fault Protection (AFP) device. The installation instructions must be read and followed for proper installation of the range.

Listed by Underwriters Laboratories

Specification Revised 6/18

JBS60DK

GE® Series 30" Free-Standing Electric Range

FEATURES AND BENEFITS

- 9 1/2" Power Boil element – Produces rapid, powerful heat
- 5.3 cu. ft. oven capacity – Enough room to cook an entire meal at once
- Ceramic glass cooktop – Smooth cooktop easily wipes clean
- Removable full-width storage drawer – Store cookware or kitchen accessories
- Dual-element Bake – Upper and lower elements produce even heat and great results
- Model JBS60DKWW – White on white
- Model JBS60DKBB – Black on black

