

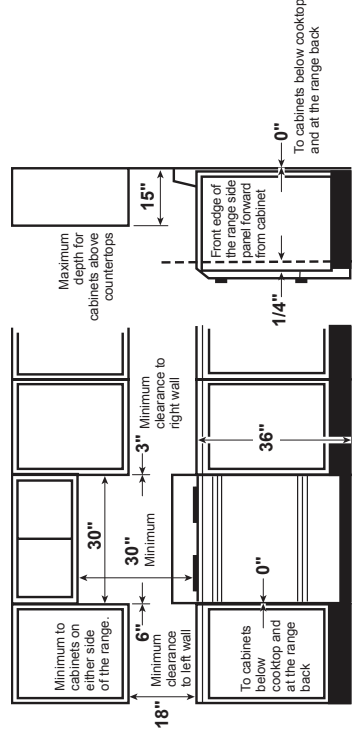
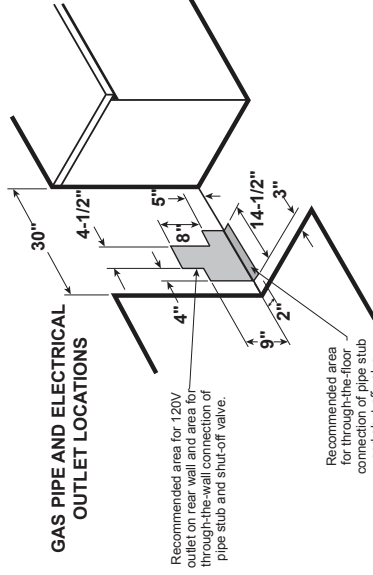
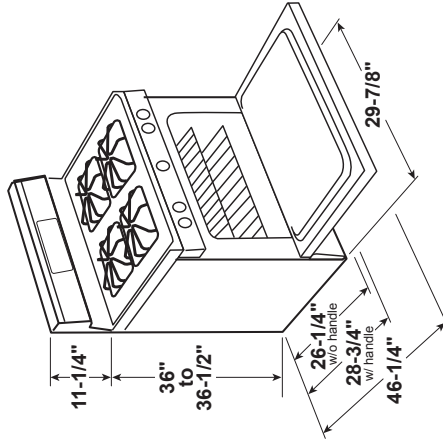
JGBS66DEK

GE® 30" Free-Standing Gas Range

DIMENSIONS AND INSTALLATION INFORMATION (IN INCHES)

ELECTRICAL RATING: 120V, 60Hz, 15A

INSTALLATION INFORMATION: Before installing, consult installation instructions packed with product for current dimensional data.



For answers to your Monogram, GE Café™ Series, GE Profile™ Series or GE Appliances product questions, visit our website at geappliances.com or call GE Answer Center® Service, 800.626.2000.



All GE Appliances ranges are equipped with an Air-Flo device. This device is an important safety feature. An important step in the installation of the range.

Specification Revised 12/19

JGBS66DEK *GE® 30" Free-Standing Gas Range*

FEATURES AND BENEFITS

- Edge-to-edge cooktop – A large cooking surface gives you extra room for pots and pans of all sizes and lets cookware move easily from burner to burner
 - Extra-large integrated non-stick griddle – Cook up to six grilled cheeses at once on the industry's largest integrated griddle
 - 15,000 BTU Power Boil burner – Delivers high heat for fast boiling
 - Center oval burner – Large oval fifth burner is ideal for griddle cooking
 - Steam clean – Save time and effort by steam-cleaning the oven after cooking. No special water, kits or extra steps required.
 - Precise Simmer burner – Delicate foods don't burn with low, even heat
 - Heavy duty, dishwasher-safe grates – Easily and safely clean grates in the dishwasher
 - 5.0 cu. ft. oven capacity – Cook more dishes at once
 - Sealed cooktop burners – Contain spills and make cleaning quick and easy
 - Deep-recessed cooktop – Contains spills for quick and easy cleaning
- Model JGBS66DEKWW – White on white

