

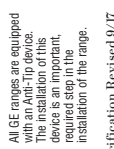
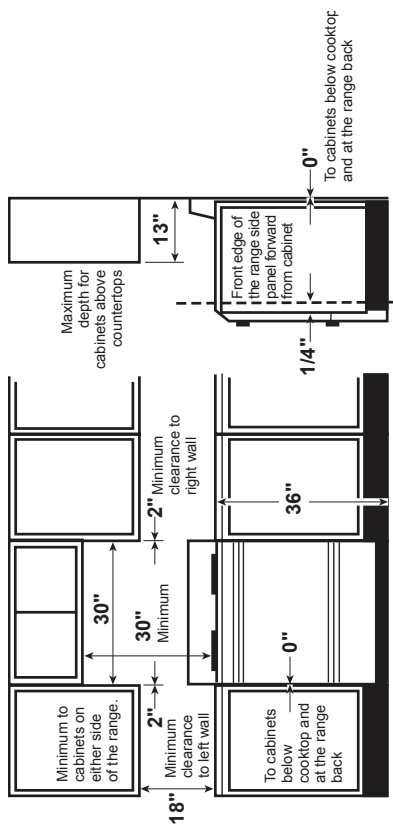
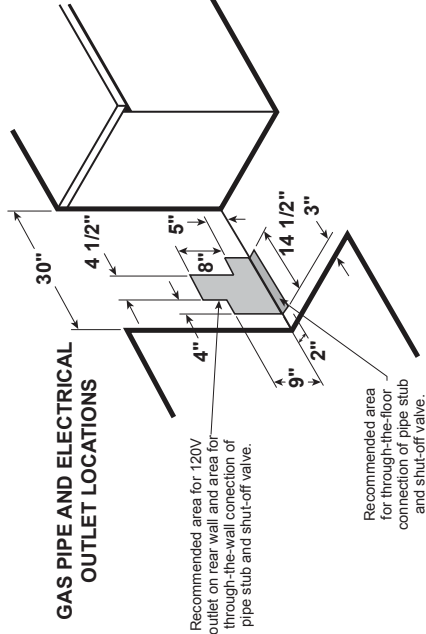
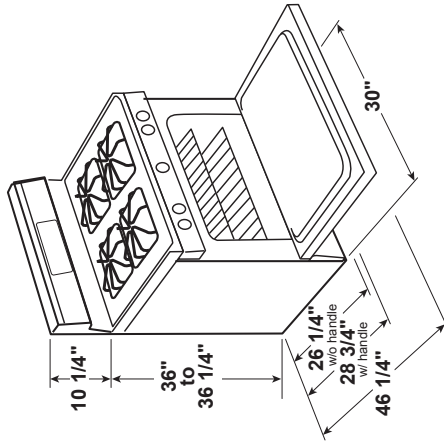
JGBS30DEK/REK

GE® Series 30" Free-Standing Gas Range

DIMENSIONS AND INSTALLATION INFORMATION

ELECTRICAL RATING: 120V, 60Hz, 15A

INSTALLATION INFORMATION: Before installing, consult installation instructions packed with product for current dimensional data.



All GE ranges are equipped with an Anti-Tip device. The installation of this device is required step in the installation of the range.

For answers to your Monogram, GE Café™ Series, GE Profile™ Series or GE Appliances product questions, visit our website at geappliances.com or call GE Answer Center® Service, 800.626.2000.

Specification Revised 9/17

JGBS30DEK/REK

GE® Series 30" Free-Standing Gas Range

FEATURES AND BENEFITS

13,000 BTU burner - Delivers a wide range of heat output ideal for most cooking requirements

Big view window - Large, clear window makes checking food easy

Precise Simmer burner - Delicate foods don't burn with low, even heat

Sealed cooktop burners - Contains spills and make cleaning quick and easy

Black gloss steel grates - Easily wipe away messes from a smooth, glossy surface

4.8 cu. ft. oven capacity - Enough room to cook an entire meal at once

Model JGBS30DEKWW - White on white

Model JGBS30DEKBB - Black on black

Model JGBS30REKSS - Stainless steel

