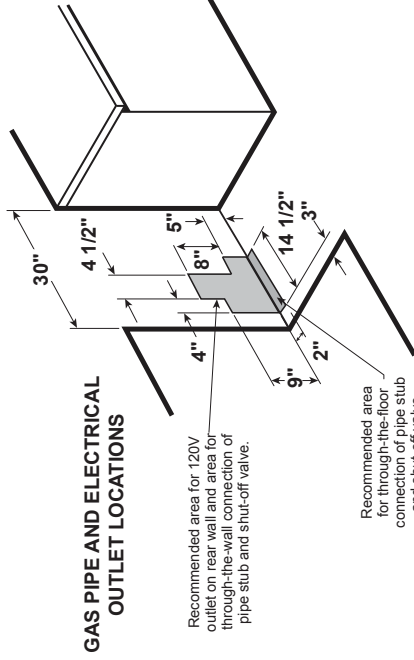
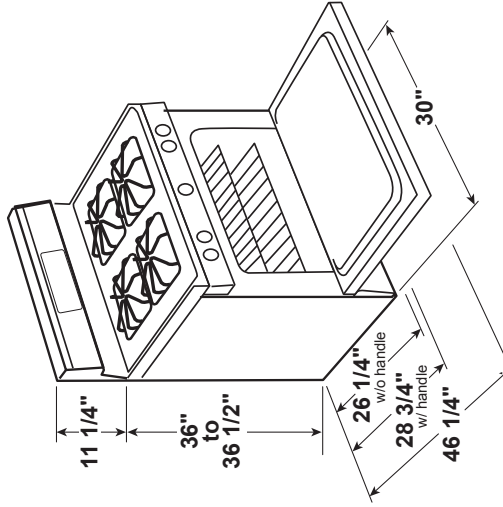


# JGB660YP/SP/EP/FP/DP GE® 30" Free-Standing Gas Range

## DIMENSIONS AND INSTALLATION INFORMATION (IN INCHES)

**ELECTRICAL RATING:** 120V, 60Hz, 15A

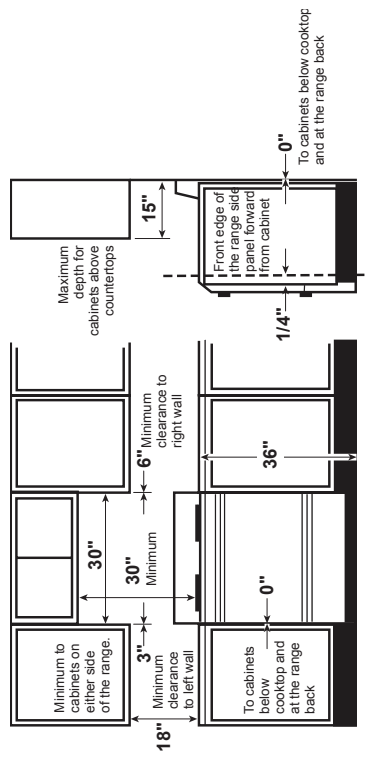
**INSTALLATION INFORMATION:** Before installing, consult installation instructions packed with product for current dimensional data.



### GAS PIPE AND ELECTRICAL OUTLET LOCATIONS

Recommended area for 120V outlet on rear wall and area for through-the-wall connection of pipe stub and shut-off valve.

Recommended area for through-the-floor connection of pipe stub and shut-off valve.



Minimum to cabinets on either side of the range.

30" Minimum

3" Minimum clearance to left wall

18" To cabinets below cooktop and at the range back

6" Minimum clearance to right wall

36" Front edge of the range side panel forward from cabinet

15" Maximum depth for cabinets above countertops

1/4" To cabinets below cooktop and at the range back



For answers to your Monogram® GE Profile™ or GE® appliance questions, visit our website at [geappliances.com](http://geappliances.com) or call GE Answer Center® service, 800.626.2000.

All GE Appliances ranges are equipped with an Anti-Flip device. This device is a safety feature and an important, required step in the installation of the range.

Specification Created 5/20

## **JGB660YP/SP/EP/FP/DP** **GE® 30" Free-Standing Gas Range**

### **FEATURES AND BENEFITS**

- Edge-to-Edge Cooktop** – Continuous, edge-to-edge cooktop give you a large cooking space and can handle any cookware.
- Power Boil Burner** – This 18,000-BTU power boil element produces intense heat to boil water fast.
- Center Oval Burner** – This center oval burner gives you a fifth burner and the perfect place to use griddles or odd-size cookware.
- Precise Simmer Burner** – This burner setting provides low, even heat so delicate dishes don't burn.
- Self-Clean Oven** – This self-cleaning oven cleans the oven cavity without the need for scrubbing or chemical cleaners.
- Large Capacity Oven** – Cook an entire meal at once with a 5.0 cubic foot oven which provides enough room for multiple dishes.
- Heavy Duty, Dishwasher-Safe Grates** – These cooktop grates can be cleaned one of two ways – either in the dishwasher, or on the bottom of a self-clean oven.
- Removable Storage Drawer** – A full-width drawer provides space for kitchen accessory and cookware storage for added convenience in the kitchen.
- Delay Bake** – Delay bake technology allows you to set up the oven to start preheating and baking at a later time.
- Integrated Griddle** – This integrated non-stick griddle leads the industry in size and quality, so you can cook a lot of food at once.
- Optional center grate (JXGRATEI)**
- Model JGB660YPFS – Fingerprint Resistant Stainless Steel**
- Model JGB660SPSS – Stainless Steel**
- Model JGB660EPES – Slate**
- Model JGB660FPDS – Black Slate**
- Model JGB660DPWW – White**
- Model JGB660DPBB – Black**

