

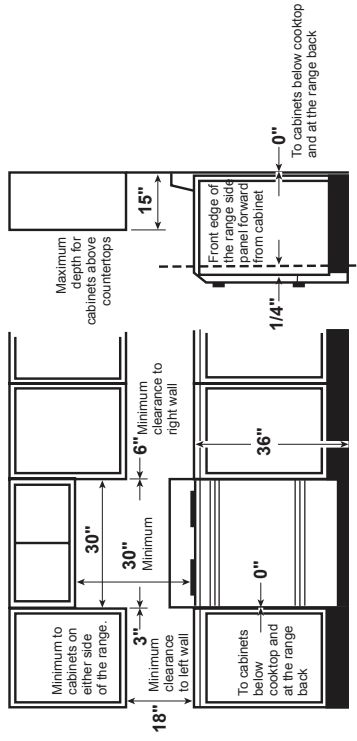
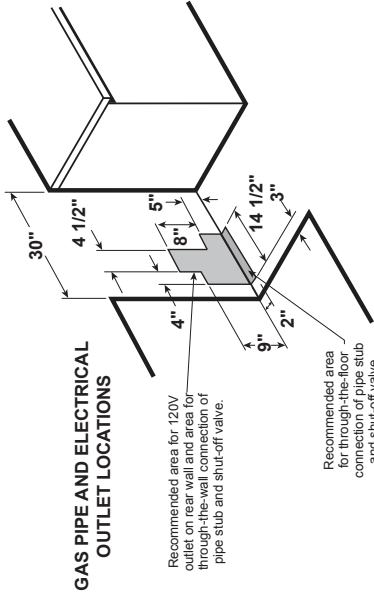
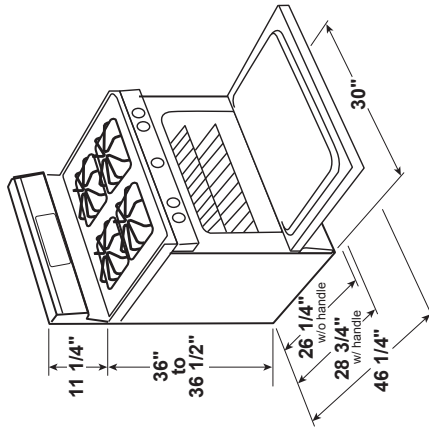
JGBS66EEK/REK/FEK

GE® 30" Free-Standing Gas Range

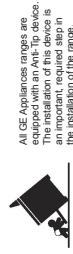
DIMENSIONS AND INSTALLATION INFORMATION (IN INCHES)

ELECTRICAL RATING: 120V, 60Hz, 15A

INSTALLATION INFORMATION: Before installing, consult installation instructions packed with product for current dimensional data.



For answers to your Monogram, GE Café™ Series, GE Profile™ Series or GE Appliances product questions, visit our website at geappliances.com or call GE Answer Center® Service, 800.626.2000.



All GE Appliances ranges are equipped with an Anti-Flip device. This device is designed to prevent an important, required step in the installation of the range.

Specification Revised 12/19

JGBS66EEK/REK/FEK *GE® 30" Free-Standing Gas Range*

FEATURES AND BENEFITS

- Edge-to-edge cooktop – A large cooking surface gives you extra room for pots and pans of all sizes and lets cookware move easily from burner to burner
- Extra-large integrated non-stick griddle – Cook up to six grilled cheeses at once on the industry's largest integrated griddle
- 15,000 BTU Power Boil burner – Delivers high heat for fast boiling
- Center oval burner – Large oval fifth burner is ideal for griddle cooking
- Steam clean – Save time and effort by steam-cleaning the oven after cooking. No special water, kits or extra steps required.
- Precise Simmer burner – Delicate foods don't burn with low, even heat
- Heavy duty, dishwasher-safe grates – Easily and safely clean grates in the dishwasher
- 5.0 cu. ft. oven capacity – Cook more dishes at once
- Sealed cooktop burners – Contain spills and make cleaning quick and easy
- Deep-recessed cooktop – Contains spills for quick and easy cleaning
- Model JGBS66EEKES – Slate
- Model JGBS66REKSS – Stainless steel
- Model JGBS66FEKDS – Black slate

