



22 cu. ft. Bottom-Freezer Refrigerator

WRB322DMB



Monochromatic Stainless Steel
WRB322DMB

Also available in:



White

WRB322DMBW



Black

WRB322DMBB

Capacity

Total Capacity	22 cu. ft.
Refrigerator Capacity	16 cu. ft.
Freezer Capacity	6 cu. ft.

General Features & Properties

Humidity-Controlled Crispers

Accu-Chill™ Temperature Management System

ENERGY STAR® Certified

LED Interior Lighting

Adaptive Defrost

#1 Selling Appliance Brand in the U.S.A.*

Electrical Details

Amps	15
Volts	120

Certifications

ENERGY STAR® Certified	Yes
------------------------	-----

Technical Details

Refrigerator Type	Bottom-Freezer
Number of Doors	2
Number of Interior Refrigerator Shelves	5
Number of Refrigerator Door Bins	1 Fixed, 5 Adjustable
Lighting Type	LED
Ice Maker	Factory Installed
Ice Maker Location	Freezer
Dispenser Type	N/A

Dimensions

Product Dimensions (H x W x D)	70" x 32-5/8" x 33-3/8"
Depth with Door Open 90°	62"
Cutout Dimensions	Allow extra 1/2" on sides and top Allow extra 1" on rear

Reference Material

[Dimension Guide](#)

[Use & Care Guide](#)

[Energy Guide](#)

[Warranty](#)

Key Features & Benefits

SpillGuard™ Glass Shelves

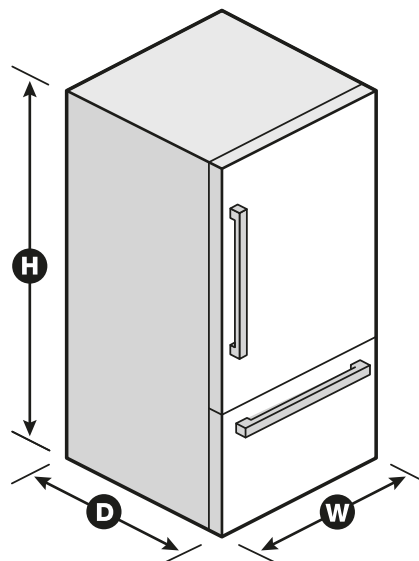
Helps contain leaks and spills for easier cleanup.

FreshFlow™ Produce Preserver

A filter absorbs excess ethylene gas that causes fruit and vegetables, like lettuce and cantaloupe, to spoil.

Deli Drawer

Store plenty of meat and cheese with a deli drawer.



*Based on 12-month average of unit sales. Refrigeration, Cooking, Dishwashers and Laundry appliances. TraQline 2018. NOTE: Dimensions are for planning purposes only. For complete details, see Installation Instructions packed with product. Specifications subject to change without notice. ©/™ © 2020. All rights reserved. Printed in the U.S.A. D200052XXC. WRB322DMBSPECSHEETV01.