

## G 7566 SCVi 24" Fully Integrated Dishwasher

### Features:

- AutoDos - an integrated automatic detergent dispensing system
- DirectSensor Controls - intuitive touch controls
- QuickIntenseWash - a full wash and dry cycle in 58 minutes
- 40 dBa (38 dBa when using ExtraQuiet)
- 3D MultiFlex Cutlery Tray
- WifiConn@ct
- Panel-Ready
- Water Softener
- EnergyStar

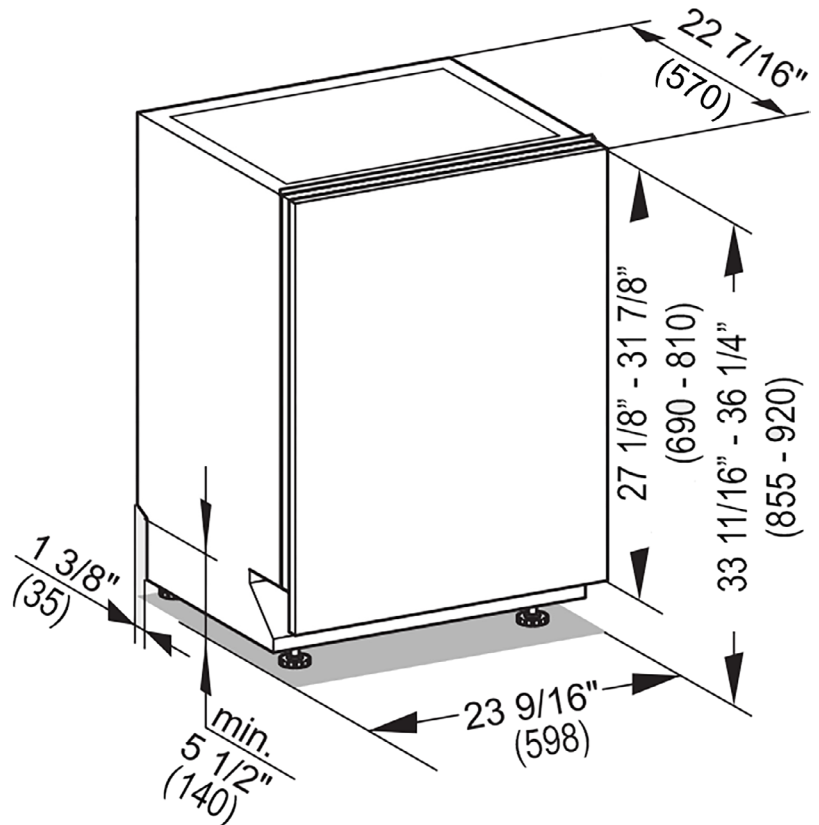
### MATERIAL #

11388140

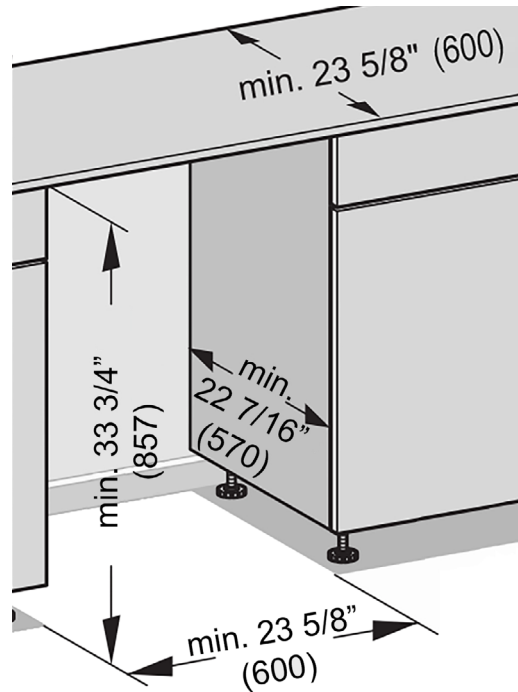


| SPECIFICATIONS                       |   |
|--------------------------------------|---|
| Overall Unit Dimensions              | 23 <sup>9</sup> / <sub>16</sub> " (598 mm) W x<br>33 <sup>11</sup> / <sub>16</sub> " - 36 <sup>1</sup> / <sub>4</sub> " (855 - 920 mm) H x<br>22 <sup>7</sup> / <sub>16</sub> " (570 mm) D<br>[Depth does not include door panel] |
| <b>Niche</b>                         |   |
| Minimum Cabinet Niche Opening        | 23 <sup>5</sup> / <sub>8</sub> " (600 mm) W x<br>33 <sup>3</sup> / <sub>4</sub> " (857 mm) H x<br>22 <sup>7</sup> / <sub>16</sub> " (570 mm) D  |
| <b>Plumbing</b>                      |   |
| Water Supply Requirements            | <ul style="list-style-type: none"> <li>• Cold or Hot (max 150°F/65°C) water connection</li> <li>• Male 3/8" compression fitting</li> <li>• Water pressure range 7.25 psi (0.5 bar) and 145 psi (10 bar)</li> </ul>                |
| Water Connection Line (Supplied)     | Length: 5 ft (1.5 m)<br>Female 3/8" compression.  |
| Drain Hose (Supplied)                | Length: 5 ft (1.5 m)<br>7/8" (22 mm) internal diameter  |
| <b>Electrical</b>                    |   |
| Electrical Requirements              | 110V / 120V, 60Hz, 15 Amps  |
| Power Cord (Convertible to hardwire) | NEMA 5-15 plug, 5 ft (1.52 m)   |
| <b>Shipping</b>                      |   |
| Shipping Weight                      | 121 lbs (55 kg)   |
| Shipping Dimensions                  | 27 <sup>1</sup> / <sub>8</sub> " W x<br>38 <sup>1</sup> / <sub>8</sub> " H x<br>26 <sup>3</sup> / <sub>8</sub> " D  |

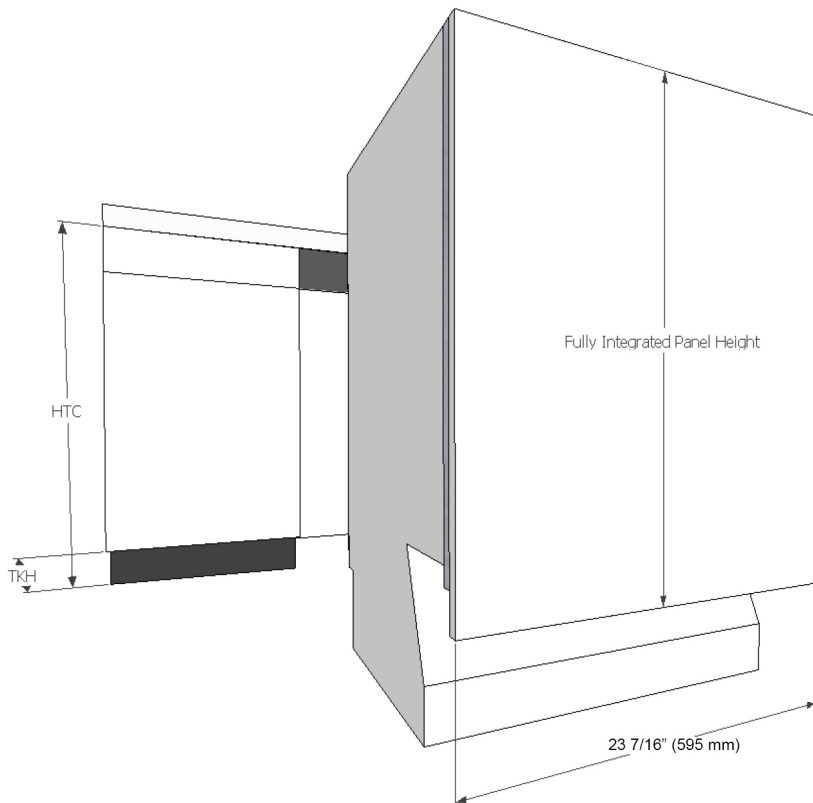
### PRODUCT DIMENSIONS



## CUTOUT DIMENSIONS



## CUSTOM PANEL



**Width:** 23 7/16" (595 mm) in all Cases  
**Thickness:** 3/4" (19 mm) in all Cases  
**Height:** Determined using the following calculation:

$$\text{Panel Height} = \text{HTC} - \text{TKH}$$

**HTC** = Height to the underside of countertop

**TKH** = Toe kick height

**Note:** Control panel is along the top edge of the unit. It is not visible when the unit is closed. A handle **MUST** be located on front of panel in order to open unit. (Except K2o models).

Maximum panel height: 31 7/8" (810 mm)

Minimum panel height: 27 1/8" (690 mm)

Maximum panel weight: 26 lbs (12 kg)