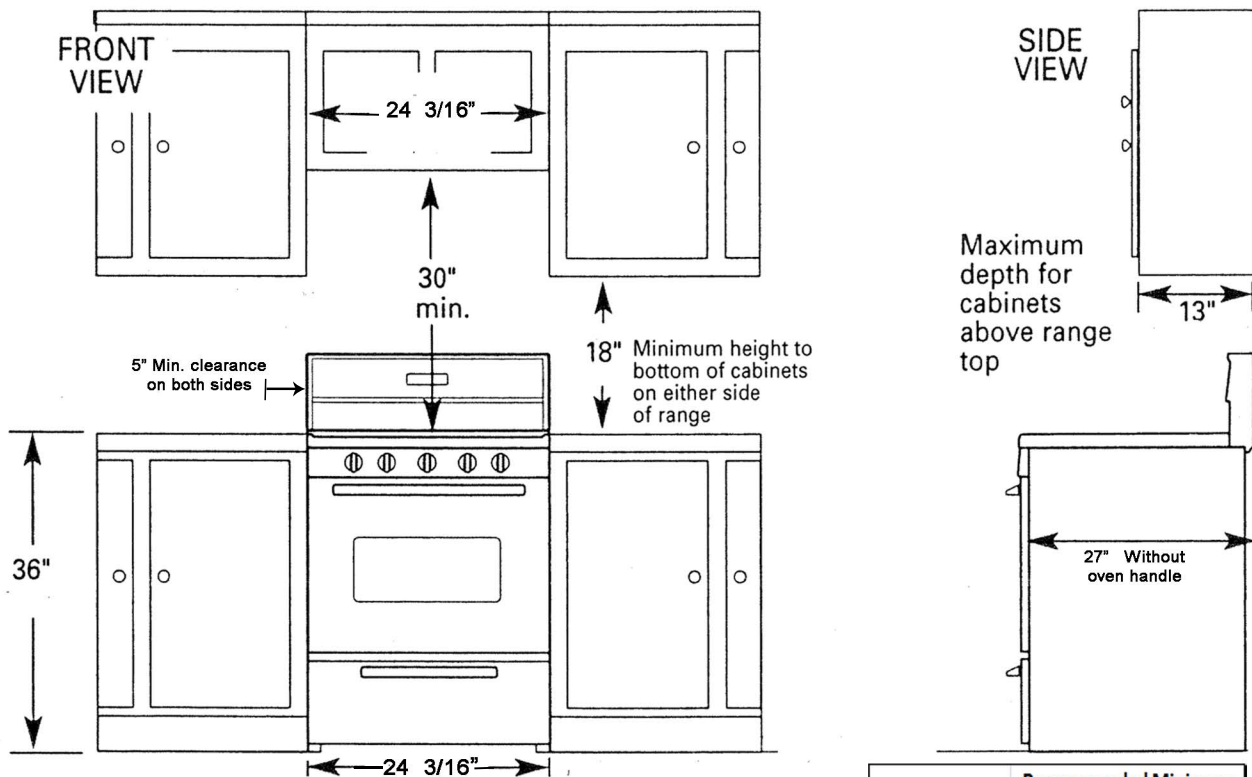


**Cabinet Installation Requirements**

Dimensions that are shown must be used. Given dimensions provide minimum clearance. Contact surface must be solid and level.



**Important:**

The range side panels should stick out beyond the cabinet fronts by at least 1/4" when flush between side walls of cabinets.

Range Width	Recommended Minimum Installation Clearance
20"	20 1/4"
24"	24 3/16"
30"	30 3/16"
36"	36 3/16"