



# 5.3 cu. ft. Electric Range

WFE505W0H



Stainless Steel  
WFE505W0HS

### Also available in:



White

**WFE505W0HW**



Black

**WFE505W0HB**

### Capacity

Oven 5.3 cu. ft.

### General Features & Properties

Temperature Sensor

Closed Door Broiling

Warm Zone Element

Control Lock Mode

Steam Clean Option

5.3 cu. ft. Capacity

Easy-Wipe Ceramic Glass Cooktop

Large Oven Window

Dishwasher-Safe Knobs

### Electrical Details

Amps 40

Volts 120/240

### Certifications

ADA Compliant Yes

Star-K Certified/Kosher Yes

### Technical Details

Fuel Type	Electric
Range Type	Freestanding Single Oven
Oven Cooking System	Thermal
Number of Oven Racks	2
Cleaning Type	Steam Clean
Number of Elements	5
Element Type	Radiant
Element Size/Power	(1) 9" 6" 3000W (1) 9" 2500W (2) 6" 1200W (1) 6" 100W

### Dimensions

Product Dimensions (H x W x D)	46-7/8" x 29-7/8" x 27-3/4"
Depth with Door Open 90°	46-11/16"

### Reference Material

[Dimension Guide](#)

[Install Guide](#)

[Use & Care Guide](#)

[Warranty](#)

### Key Features & Benefits

#### Frozen Bake™ Technology

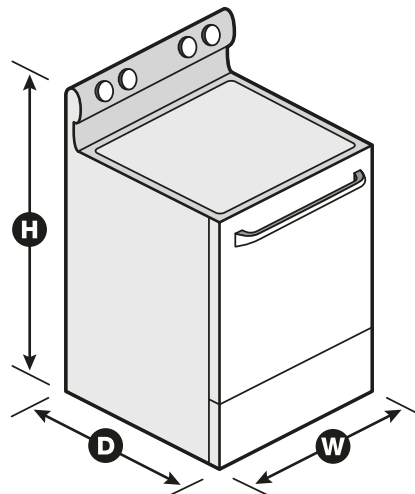
Cook frozen favorites faster with preprogrammed settings that automatically adjust cooking times.

#### FlexHeat™ Dual Radiant Element

A 6" inner ring is great for smaller pots and pans, while the 9" outer ring heats larger cookware.

#### Keep Warm Setting

Delivers low heat to the oven to keep prepared dishes from getting cold.



NOTE: Dimensions are for planning purposes only. For complete details, see Installation Instructions packed with product. Specifications subject to change without notice.

®/™ © 2020. All rights reserved. Printed in the U.S.A. D200052XXB. WFE505W0HSPECSHEETV01.