

2023 BATE'S COIN SLIDE KITS to go with Speed Queen Coin-Op models -

SWNSX2SP115TW02 Washer

SDESXRG173TW01 Electric Dryer

NEW

ESD ESDBA2 BERMUDA \$1 Coin-Slide Kit BATE'S SELL Price \$329

– accepts up to 5 Bermudian \$1 Coins includes:

- V8-800 Vertical 8 Coin Slide for **BERMUDA \$1 COINS - Set for \$2.00**
- 22681 LT Mounting Bolt
- 72303-XD BGN-BT Money Box w/22897 Tray & XD Lock
- 0400ET Service Tubular Lock w/GR800 Key
- Alliance 200913 Hybrid Coin Slide Extension Kit

ESD ESDQ Quarters Coin-Slide Kit BATE'S SELL Price \$329

– accepts up to 14 Bermudian & US Quarters includes:

- 72198 Vertical 14 Coin Slide - **Set for \$2.00**
- 22681 LT Mounting Bolt
- 72303-XD BGN-BT Money Box w/22897 Tray & XD Lock
- 0400ET Service Tubular Lock w/GR800 Key
- Alliance 200913 Hybrid Coin Slide Extension Kit

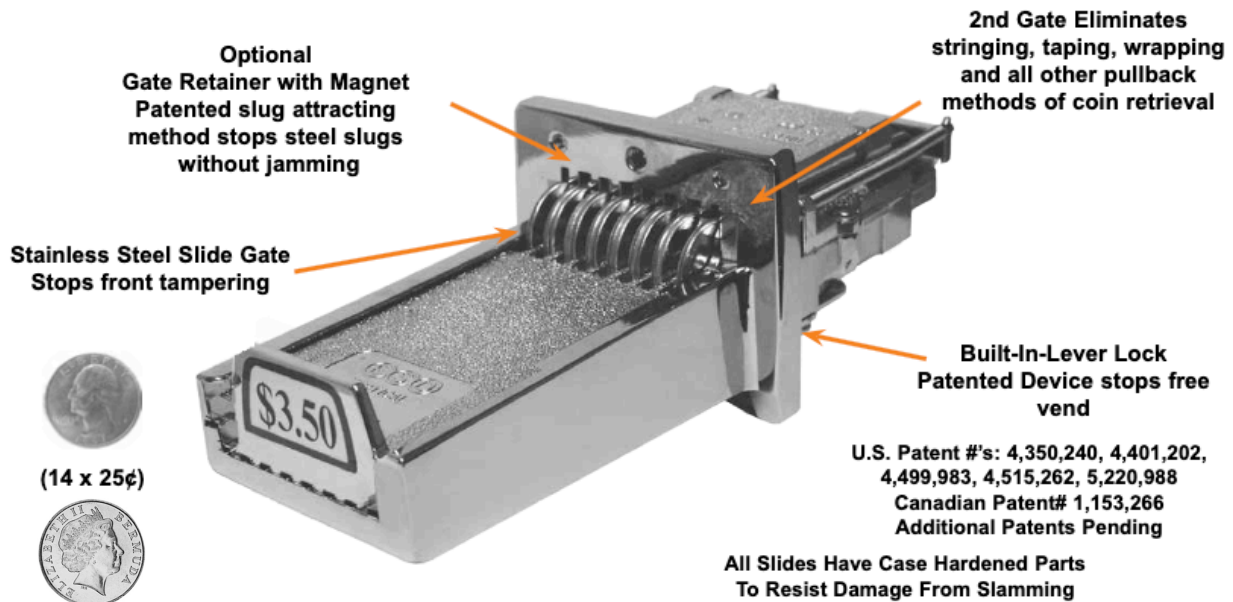
PHASEOUT

ESD ESDBA BERMUDA \$1 Coin-Slide Kit BATE'S SELL Price \$329

– accepts up to 5 Bermudian \$1 Coins includes:

- V8-575 Vertical Coin Slide for **BERMUDA \$1 COINS - Set for \$2.00**
- 22681 LT Mounting Bolt
- 72303-XD BGN-BT Money Box w/22897 Tray & XD Lock
- 0400ET Service Tubular Lock w/GR800 Key
- Alliance 200913 Hybrid Coin Slide Extension Kit

ESD SLIDE VERTICAL 14[®]



Optional Gate Retainer with Magnet
Patented slug attracting method stops steel slugs without jamming

Stainless Steel Slide Gate
Stops front tampering



(14 x 25¢)



2nd Gate Eliminates stringing, taping, wrapping and all other pullback methods of coin retrieval

Built-In-Lever Lock
Patented Device stops free vend

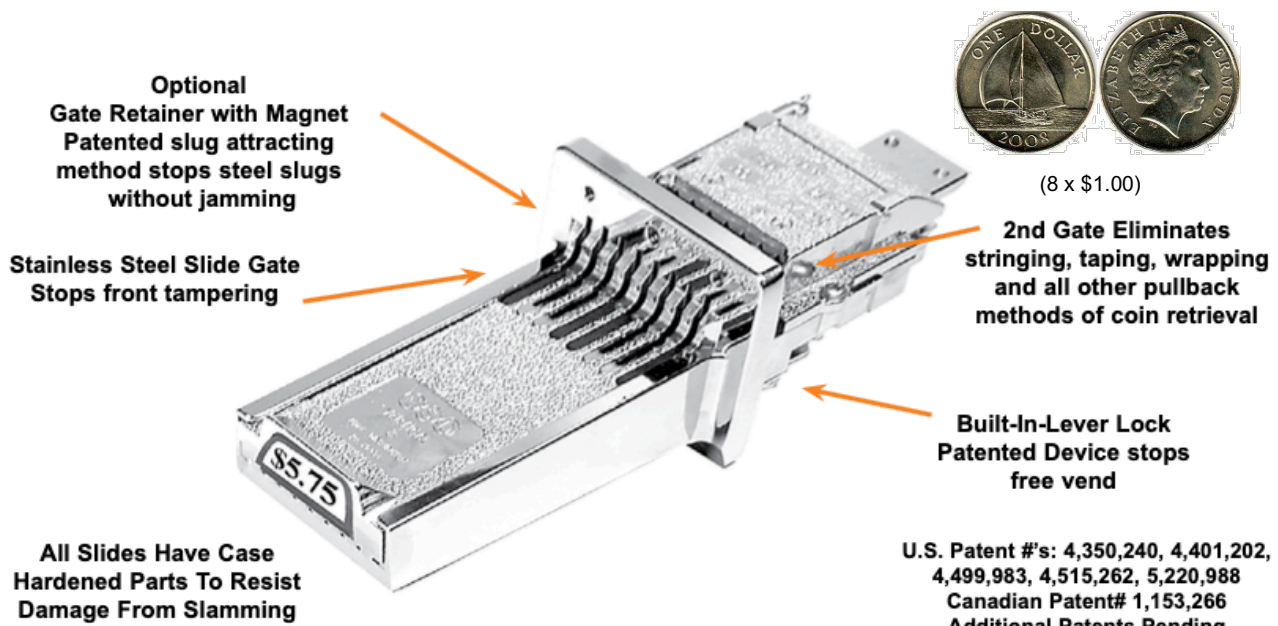
U.S. Patent #'s: 4,350,240, 4,401,202,
4,499,983, 4,515,262, 5,220,988
Canadian Patent# 1,153,266
Additional Patents Pending

All Slides Have Case Hardened Parts
To Resist Damage From Slamming

FEATURES:

- Variable price settings: 0-\$3.50 • Vertical coin acceptance
- All steel security gate with solid metal bridge
- One step price changing - UP or DOWN in seconds without disassembly
- Exclusive dual return springs for smoother operation
- Fits all existing extensions and machines
- Total UP and DOWN multiple price flexibility for price increases, price decreases or price features.
- Factory pre-set pricing to suit needs

ESD SLIDE VERTICAL 8[®]



Optional Gate Retainer with Magnet
Patented slug attracting method stops steel slugs without jamming

Stainless Steel Slide Gate
Stops front tampering



(8 x \$1.00)

2nd Gate Eliminates stringing, taping, wrapping and all other pullback methods of coin retrieval

Built-In-Lever Lock
Patented Device stops free vend

U.S. Patent #'s: 4,350,240, 4,401,202,
4,499,983, 4,515,262, 5,220,988
Canadian Patent# 1,153,266
Additional Patents Pending

All Slides Have Case Hardened Parts
To Resist Damage From Slamming

22681 WHIRLPOOL MOUNTING BOLT



8 3/8"

ESD
BGN Q MONEY BOX
WITH HIGH SECURITY LOCKS

Approximate reference dimension is (L,W,H)
Macgard: 8.0" x 3.6" x 3.3"



ESD-TUBULAR



ESD-XD

72303-XD



Case Hardened Face
Case hardened Bolts

Face Plate Available in Chrome
(See Page MB-8)

TUBULAR SERVICE DOOR LOCKS
MODEL 0400ET (1/4 TURN)

Industry Standard Codes for Speed Queen, Whirlpool and Maytag Standard Code ZB7



Prices below include 100% keying depending on Keying code.
Cams are 100%

Industry Standard Codes are:

Speed Queen	Whirlpool	Maytag
#800	#777	#ZB7
100%	100%	100%

Individual bag w/ lock hardware & cam, packaged in units of 25 Keys packed in bags of 25 units.
Extra Keys \$4.95 each.

Manufacturer	Cam Pin
Speed Queen	20724
Whirlpool	21060
Maytag	21060

Commercial Laundry Appliance Coin Slide Extension Assembly 200913



Part Information

This coin slide extension assembly (part number 200913) is for commercial laundry appliances.

Coin slide extension assembly 200913 attaches to the coin slide and actuates the control when the coins and slide are inserted into the meter case.

Unplug the appliance before installing this part. Wear work gloves to protect your hands.