

## ADVANCED SERIES

# PRO 1250™



### Submittal Sheet

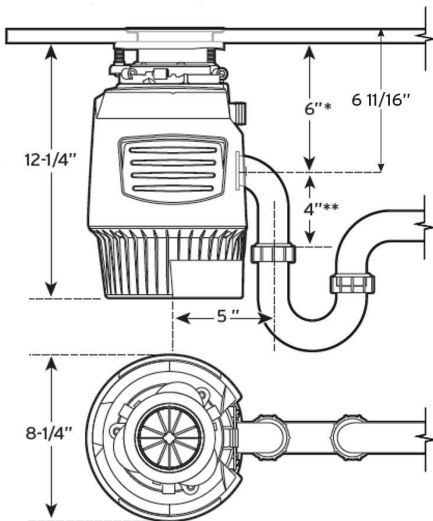
This model offers the following features and benefits:

- **1.25 HP long-lasting, Dura-Drive® Induction motor**
- **Quietest SoundSeal® Technology** is the quietest disposal on the market
- **Advanced Grind** for tough and fibrous food scraps
- **4-Stage MultiGrind® Technology:** Finest grind designed to prevent clogs and reduce odor
- **EZ Connect Disposal** easily connects to a hardwire connection or outlet
- **Removable, Dishwasher Safe, Antimicrobial Quiet Collar® Sink Baffle**
- Safe for use with properly maintained septic tanks
- **Units Available:** PRO 1250™ with EZ Connect Adapter or PRO 1250™ with EZ Connect Cord

### Specifications

Type of Feed	Continuous
On/Off Control	Wall Switch
Motor	Single Phase
HP	1.25
Volts	120
HZ	60
RPM	1725
Amp. (Avg. Load)	12.3
Time Rating	Intermittent
Lubrication	Permanently Lubricated Upper & Lower Bearings
Shipping Weight (Approx.)	21.7, 21.9
Overall Height	12.25
Motor Protection	Automatic Reset
Average Water Usage	Approx. 1 Gallon per Person Per Day
Average Electrical Usage	3-4 KWH per Year
Drain Connection	1-1/2" Anti-Vibration (Hose Clamp)
Dishwasher Drain Connection	Yes

### Dimensions



### Sample Specification

Food Waste Disposer(s) shall be InSinkErator PRO 1250™, continuous feed, with 1.25 HP. motor, stainless steel grinding elements with two stainless steel 360° swivel lugs. Exclusive self-service wrench.

### Warranty

12-Year *We Come to You®* Limited In Home Warranty

\* The complete InSinkErator warranty is included in the Care & Use Booklet packed with each unit.



Food waste is roughly 80% water. By using your disposal regularly, you can help divert food waste from landfills and reduce greenhouse gas emissions. Make sustainability a family affair by using your disposal. After all, the smallest changes can make the biggest impact.

### Job Specifications



1-800-558-5700  
www.insinkerator.com